

### MODEL CODE BREAKDOWN

**RM\_03G1A-E^C@\$\$#D**

- Material Code ( ) A Aluminum Body  
D Ductile Iron Body
- Adjustment Code ( ^ ) L Standard Screw
- Seal Material Code ( @ ) N Buna  
V Viton
- Rest Condition Code ( \$ ) C Normally Closed (Slow)  
H Normally Open (Fast)
- Voltage Code ( ## ) 11 110 Vac  
24 24 Vdc

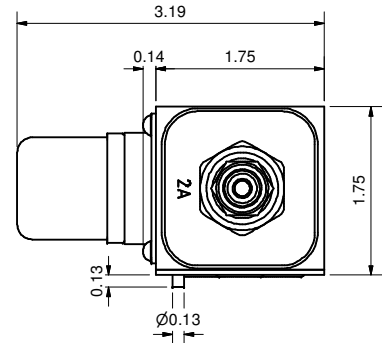
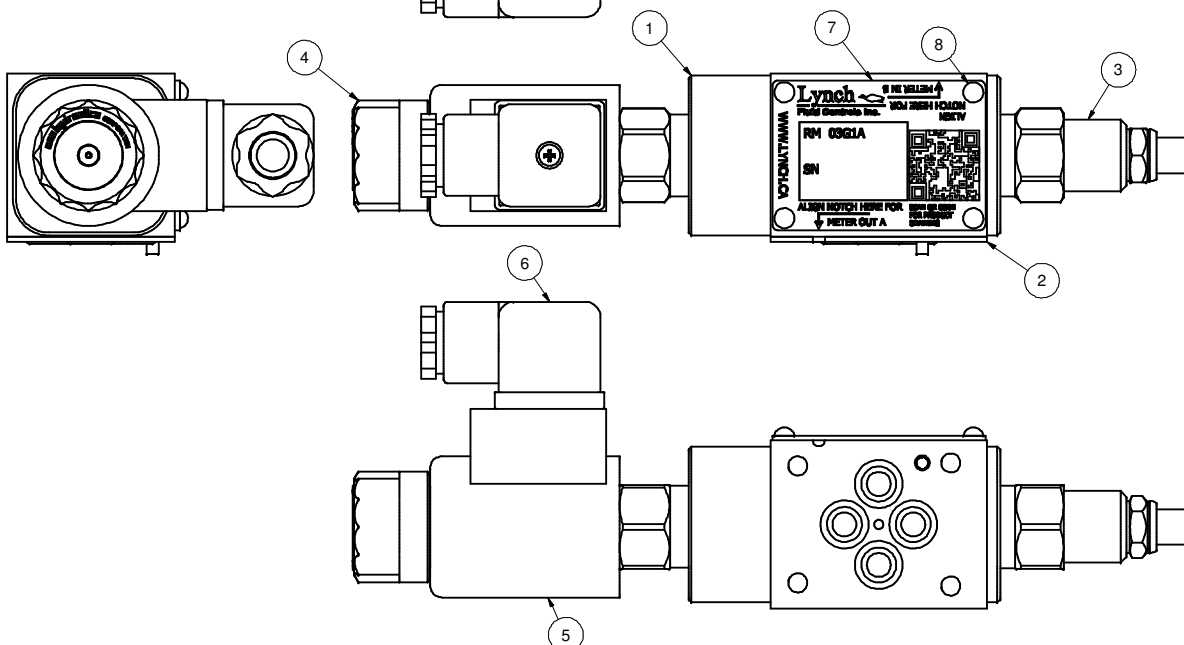
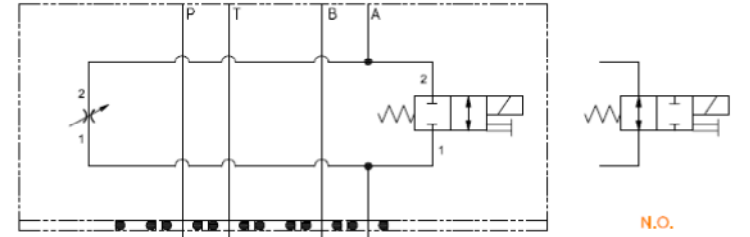
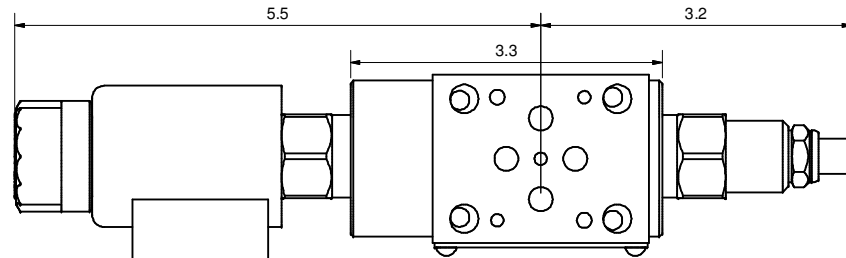


**PROPRIETARY NOTICE**  
THIS DRAWING DESCRIBES A PROPRIETARY PRODUCT OF LYNCH FLUID CONTROLS INC. WHICH MAY NOT BE REPRODUCED IN WHOLE OR IN PART NOR GIVEN TO A THIRD PARTY WITHOUT WRITTEN PERMISSION FROM LYNCH FLUID CONTROLS INC.

DWG NO	RM_03G1A-E^C@\$\$#D	REV	-
MODEL CODE	RM_03G1A-E^C@\$\$#D		
TITLE	2 Speed D03 Sandwich Module M/O A Direct Acting Spool Needle		

DATA UNIT:	INCH	3RD ANGLE PROJECTION
------------	------	----------------------

Bill of Material		
ITEM	QTY	DESCRIPTION
1	1	Manifold Body
2	1	Seal Plate
3	1	[Flow Control] Fully adjustable needle valve
4	1	[Solenoid] 2-way, solenoid-operated directional spool valve
5	1	Coil
6	1	Connector
7	1	Nameplate
8	4	Screws



DWG NO RM\_03G1A-E^C@\$\$#D

C

A

B

A



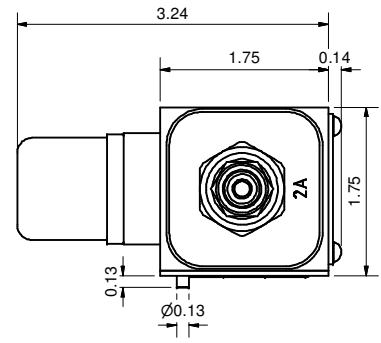
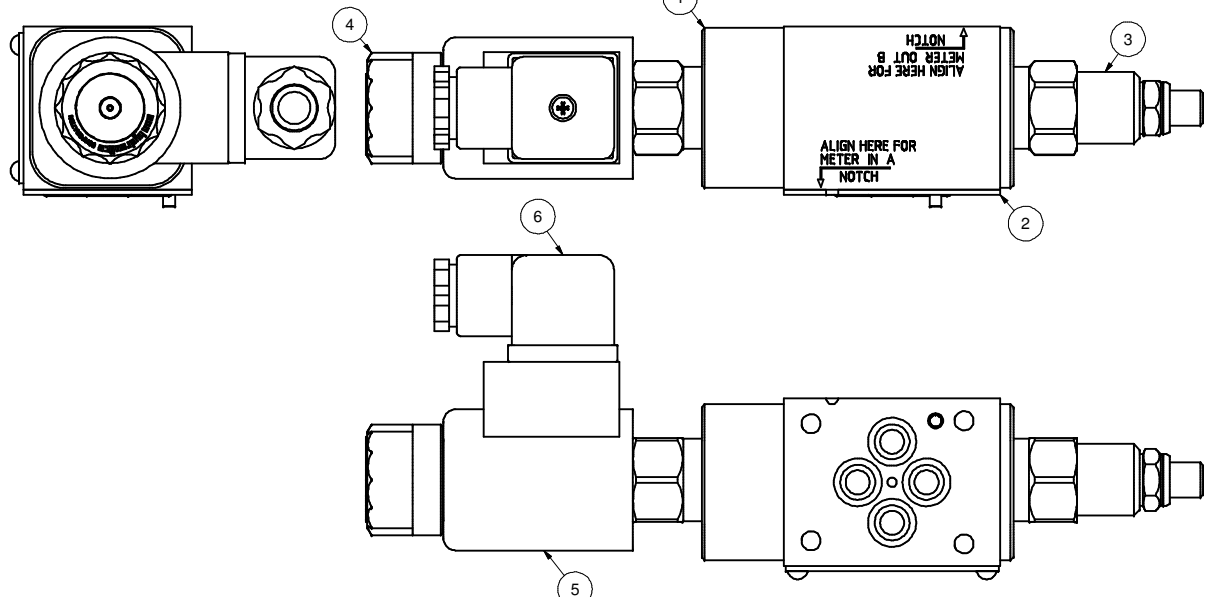
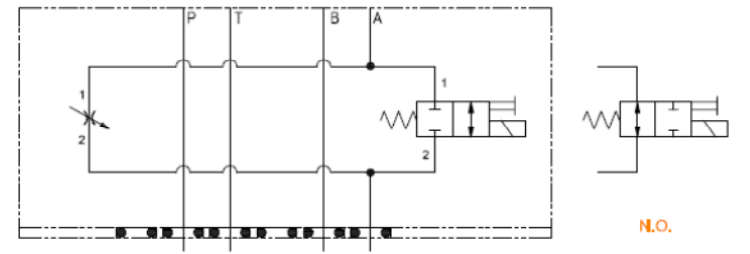
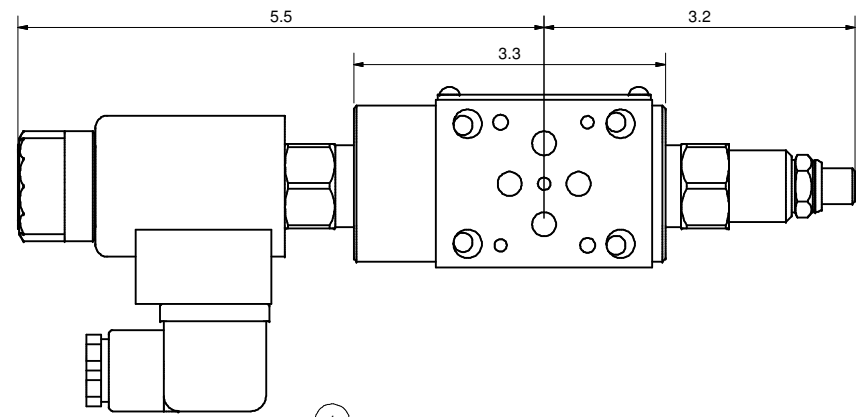
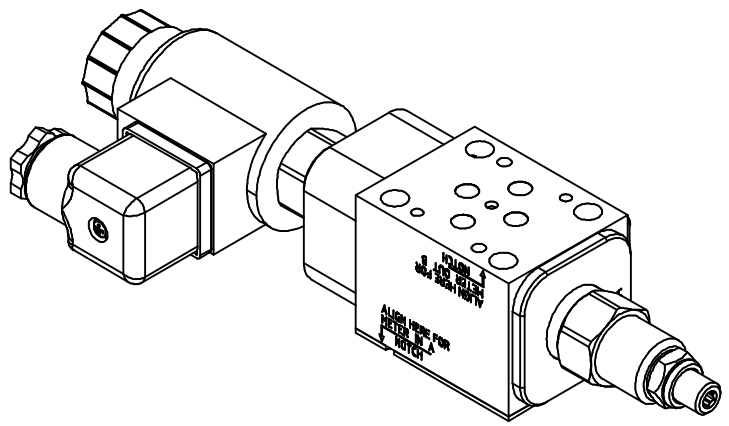
DWG NO	RM_03G1A-E^C@\$\$#D	REV	-
MODEL CODE	RM_03G1A-E^C@\$\$#D		
PROPRIETARY NOTICE	THIS DRAWING DESCRIBES A PROPRIETARY PRODUCT OF LYNCH FLUID CONTROLS INC. WHICH MAY NOT BE REPRODUCED IN WHOLE OR IN PART NOR GIVEN TO A THIRD PARTY WITHOUT WRITTEN PERMISSION FROM LYNCH FLUID CONTROLS INC.		
TITLE	2 Speed D03 Sandwich Module M/I A Direct Acting Spool Needle		
DATA UNIT: INCH	3RD ANGLE PROJECTION		

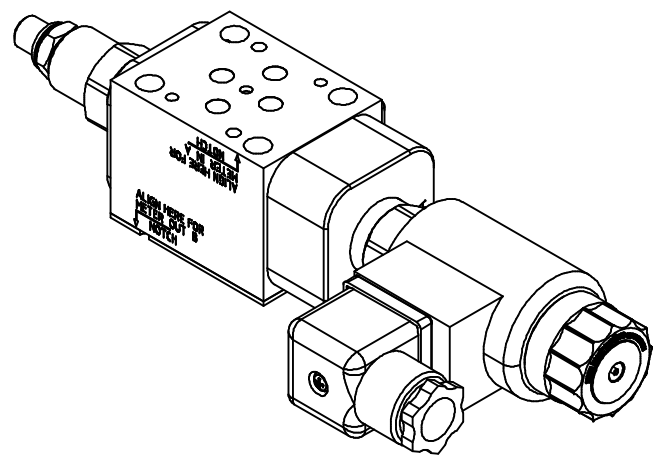
### MODEL CODE BREAKDOWN

**RM\_03G1A-E^C@\$\$#D**

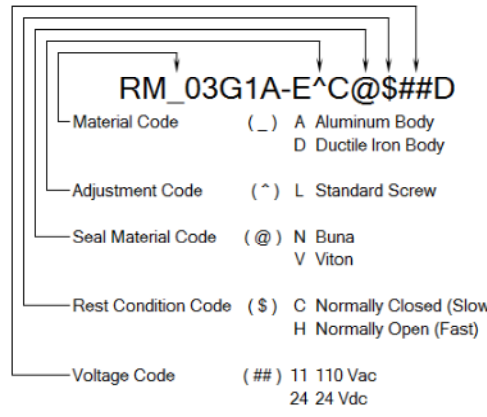
- Material Code ( ) A Aluminum Body  
D Ductile Iron Body
- Adjustment Code ( ^ ) L Standard Screw
- Seal Material Code ( @ ) N Buna  
V Viton
- Rest Condition Code ( \$ ) C Normally Closed (Slow)  
H Normally Open (Fast)
- Voltage Code ( ## ) 11 110 Vac  
24 24 Vdc

Bill of Material		
ITEM	QTY	DESCRIPTION
1	1	Manifold Body
2	1	Seal Plate
3	1	[Flow Control] Fully adjustable needle valve
4	1	[Solenoid] 2-way, solenoid-operated directional spool valve
5	1	Coil
6	1	Connector
7	1	Nameplate
8	4	Screws



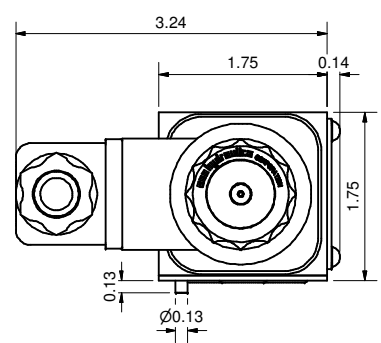
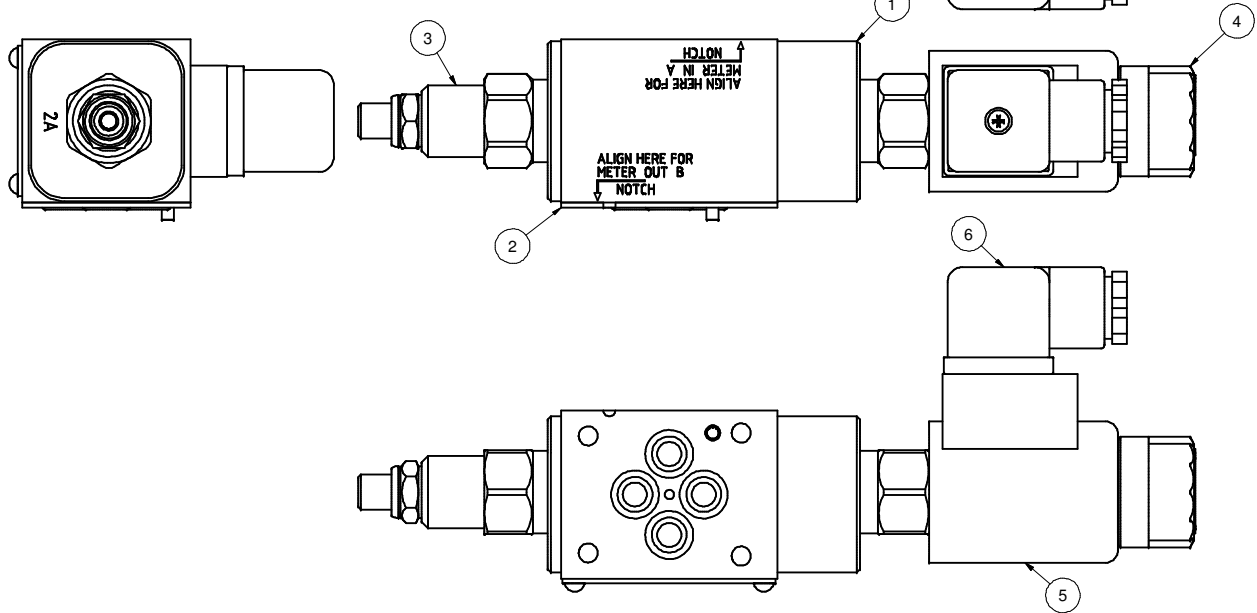
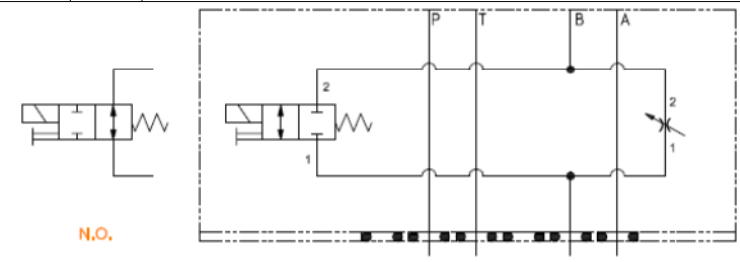
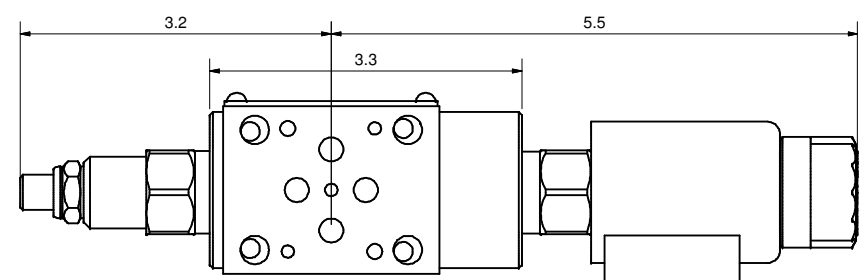


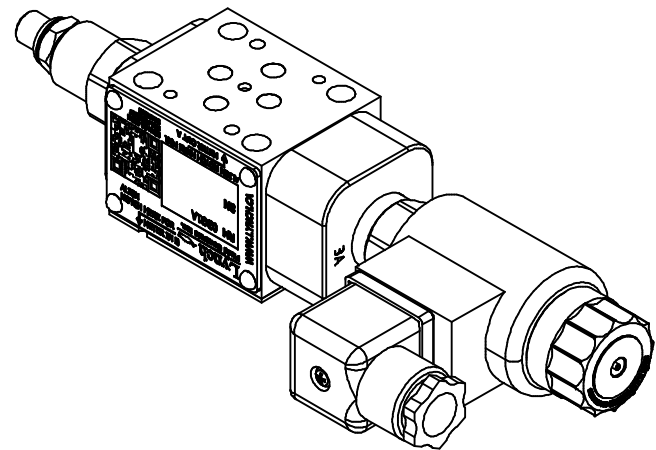
### MODEL CODE BREAKDOWN



DWG NO	RM_03G1A-E^C@\$\$#D	REV	-
MODEL CODE	RM_03G1A-E^C@\$\$#D		
PROPRIETARY NOTICE THIS DRAWING DESCRIBES A PROPRIETARY PRODUCT OF LYNCH FLUID CONTROLS INC. WHICH MAY NOT BE REPRODUCED IN WHOLE OR IN PART NOR GIVEN TO A THIRD PARTY WITHOUT WRITTEN PERMISSION FROM LYNCH FLUID CONTROLS INC.		TITLE 2 Speed D03 Sandwich Module M/O B Direct Acting Spool Needle	
DATA UNIT: INCH	3RD ANGLE PROJECTION		

Bill of Material		
ITEM	QTY	DESCRIPTION
1	1	Manifold Body
2	1	Seal Plate
3	1	[Flow Control] Fully adjustable needle valve
4	1	[Solenoid] 2-way, solenoid-operated directional spool valve
5	1	Coil
6	1	Connector
7	1	Nameplate
8	4	Screws





**MODEL CODE BREAKDOWN**

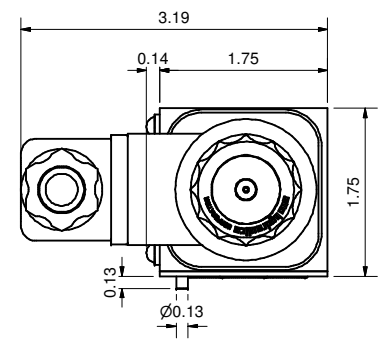
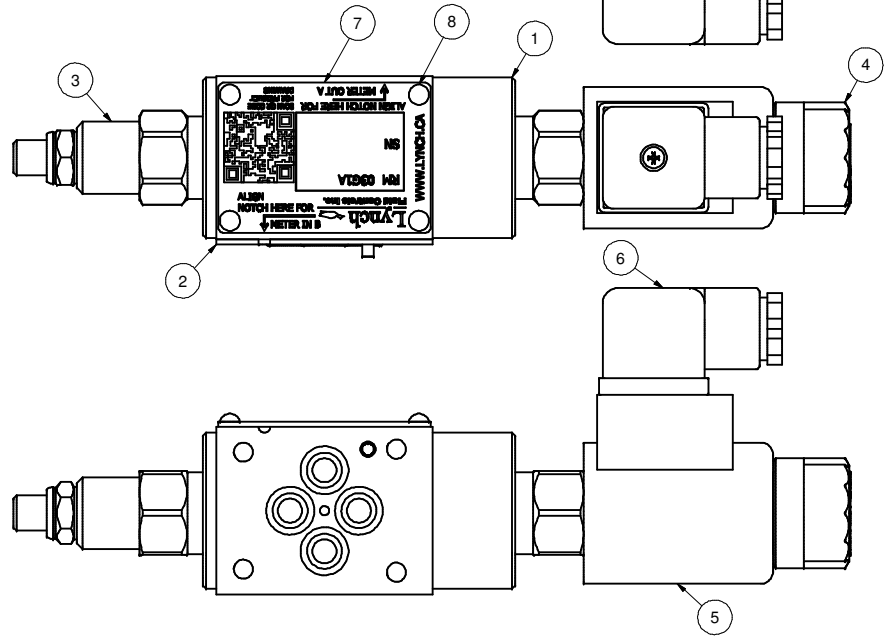
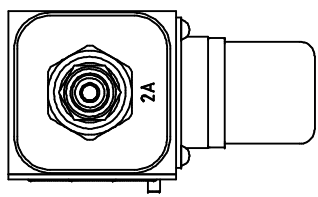
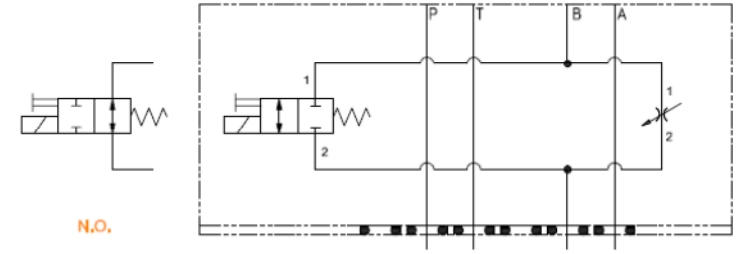
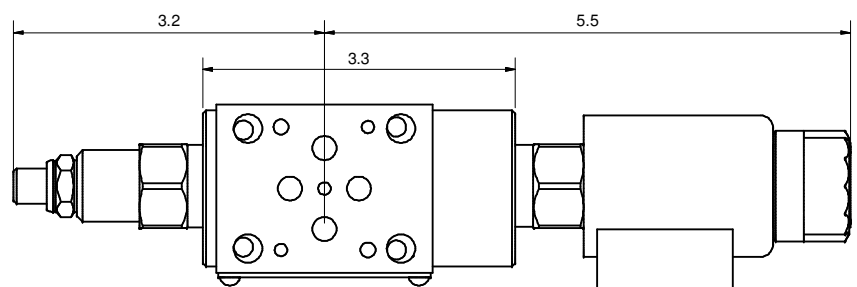
**RM\_03G1A-E^C@\$\$D**

- Material Code ( ) A Aluminum Body  
D Ductile Iron Body
- Adjustment Code ( ^ ) L Standard Screw
- Seal Material Code ( @ ) N Buna  
V Viton
- Rest Condition Code ( \$ ) C Normally Closed (Slow)  
H Normally Open (Fast)
- Voltage Code ( ## ) 11 110 Vac  
24 24 Vdc



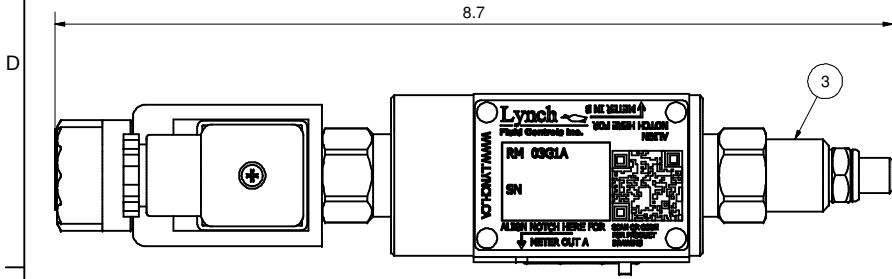
DWG NO	RM_03G1A-E^C@\$\$D	REV	-
MODEL CODE	RM_03G1A-E^C@\$\$D		
PROPRIETARY NOTICE	TITLE		
THIS DRAWING DESCRIBES A PROPRIETARY PRODUCT OF LYNCH FLUID CONTROLS INC. WHICH MAY NOT BE REPRODUCED IN WHOLE OR IN PART NOR GIVEN TO A THIRD PARTY WITHOUT WRITTEN PERMISSION FROM LYNCH FLUID CONTROLS INC.	2 Speed D03 Sandwich Module M/I B Direct Acting Spool Needle		
DATA UNIT: INCH	3RD ANGLE PROJECTION		

Bill of Material		
ITEM	QTY	DESCRIPTION
1	1	Manifold Body
2	1	Seal Plate
3	1	[Flow Control] Fully adjustable needle valve
4	1	[Solenoid] 2-way, solenoid-operated directional spool valve
5	1	Coil
6	1	Connector
7	1	Nameplate
8	4	Screws



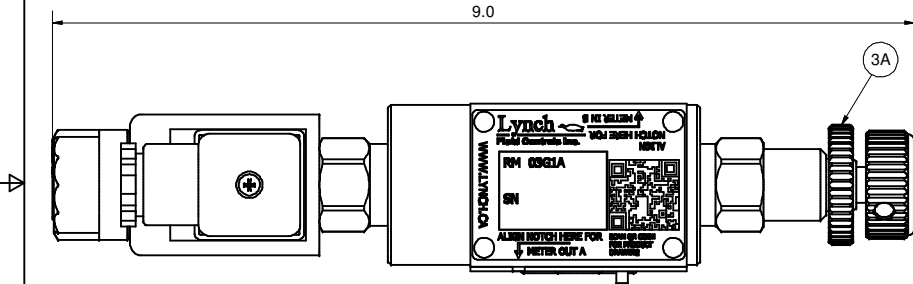
DWG NO RM\_03G1A-E^C@\$\$D

### L - Standard Screw



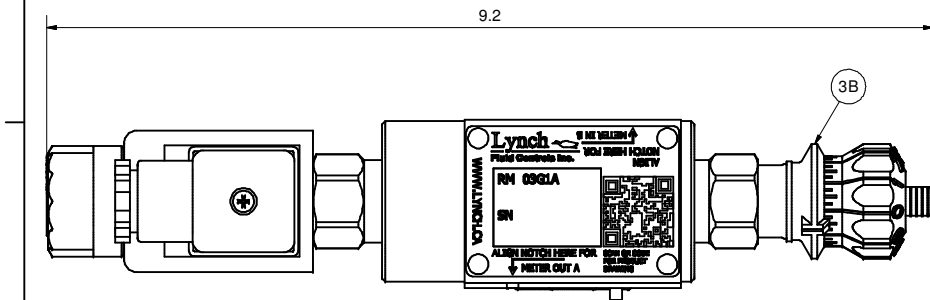
### K - Hand-Knob

Non-Standard Option: Order Standard L control w/ 991 211 Kit



### H - Calibrated Hand-Knob

Non-Standard Option



**Lynch**  
Fluid Controls Inc.

DWG NO RM\_03G1A-E^C@\$\$#D REV -

MODEL CODE RM\_03G1A-E^C@\$\$#D

**PROPRIETARY NOTICE**  
THIS DRAWING DESCRIBES A PROPRIETARY PRODUCT OF LYNCH FLUID CONTROLS INC. WHICH MAY NOT BE REPRODUCED IN WHOLE OR IN PART NOR GIVEN TO A THIRD PARTY WITHOUT WRITTEN PERMISSION FROM LYNCH FLUID CONTROLS INC.

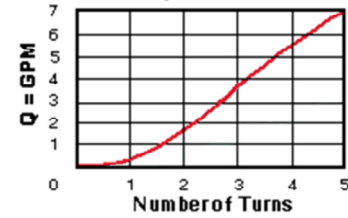
TITLE  
**Technical Data & Non-Standard Options**

DATA UNIT: INCH  
3RD ANGLE PROJECTION

Bill of Material		
ITEM	QTY	DESCRIPTION
3	1	[Flow Control] Fully adjustable needle valve
3A	1	[Flow Control] Fully adjustable needle valve [Hand-Knob]
3B	1	[Flow Control] Fully adjustable needle valve [Calibrated Hand-Knob]

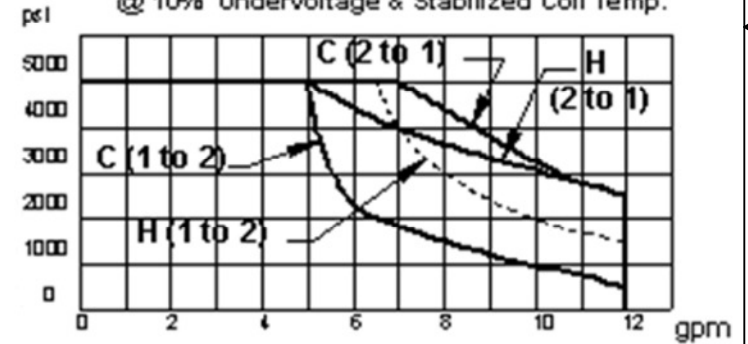
### Flow Control

#### Adjustment Sensitivity at 100 psi Differential



### Solenoid

#### Valve Performance Limits @ 10% Undervoltage & Stabilized Coil Temp.



#### Typical Performance Pressure Differential vs. Flow

