

INTERNORMEN - Filter Battery

- **Paralleling of single and duplex filters**
- **Developed with and for the iron & steel industry**
- **Different sizes to match your requirements**



Hydraulic filters for large quantities of oil under high pressure

- **compact design**
- **easy to install and to maintain**
- **space saving**
- **cost saving**

Used world-wide

internormen 
 *filter technology*

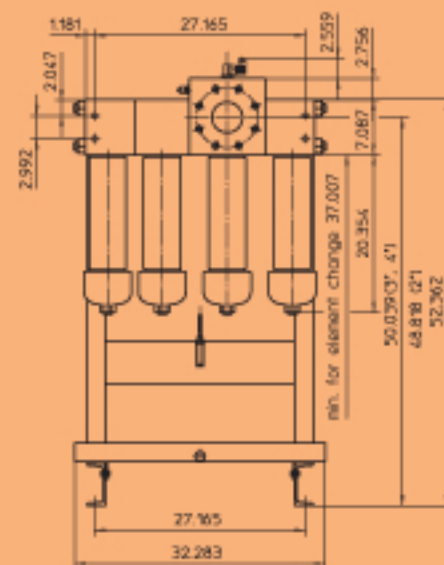


Filter Battery

High filter efficiency at high volume flows

Filter for mounting in pressure lines

model no.	port size	nominal pressure PSI	data sheet no.
BHP 2 x 901	2" SAE 2", 3" AVIT	4568	1467
BHP 3 x 901	2" SAE 3", 4" AVIT		
BHP 4 x 901 BHP 5 x 901	3", 4" AVIT		
BHP 6 x 901 BHP 7 x 901	4" AVIT		



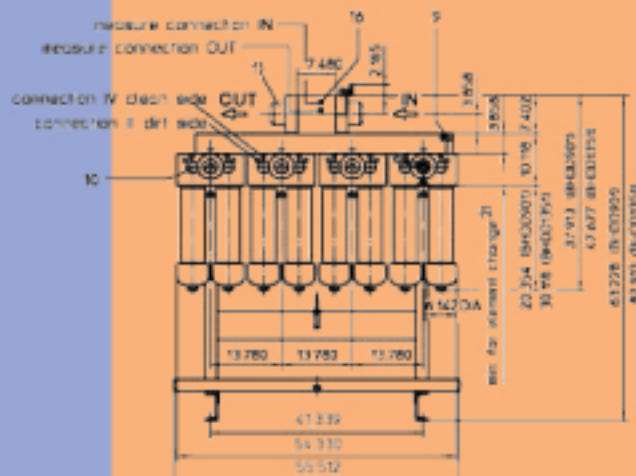
BHP 4 x 901

Filter, change-over

Flow path through the filter can be changed to either of the two chambers. The dirty element can be serviced/changed while in the 'off' position without interrupting the operation. Can be mounted in suction, pressure or return lines.

model no.	port size	nominal pressure PSI	data sheet no.
BHDD 2 x 901 / 1351	2", 2 1/2", 3" AVIT	4568	2525
BHDD 3 x 901 / 1351			
BHDD 4 x 901 / 1351			

Other ranges on request!



BHDD 4 x 901 / 1351

The filter batteries are suitable for filtration of large volumes up to a working pressure of 4568 PSI, providing a high filter efficiency.

Stainless Steel Filter Battery

For the stainless steel version see our separate brochure "Stainless Steel Filter".



1799 Argentia Road
Mississauga, Ontario, Canada
L5N 3A2

3940 Olympic Blvd. Suite 400
Erlanger, KY, USA, 41018

Phone: 905.363.2400 Fax: 905.363.1191 Toll Free: 888.626.4365

