

Index

DIN Bodies

DIN 16 mm Single Cavity Body - Design "A"	8.01.01
DIN 25 mm Single Cavity Body - Design "A"	8.02.01
DIN 32 mm Single Cavity Body - Design "A"	8.03.01
DIN 40 mm Single Cavity Body - Design "A"	8.04.01
DIN 50 mm Single Cavity Body - Design "A"	8.05.01
DIN 63 mm Single Cavity Body - Design "A"	8.06.01
ISO 7368: Two-Port Slip-In Cartridge Valve Cavity.....	8.07.01

BAR MANIFOLDS
TAPPING PLATES
VALVE ADAPTERS
SUBPLATES
SUBPLATES w/ CIRCUITS
COVER PLATES
HEADERS/ JUNCTIONS
DIN BODIES
ACCESSORIES
VALVE PACKS & CUSTOMS
TECHNICAL INFO

Product Tips and Features

BAR
MANIFOLDSTAPPING
PLATESVALVE
ADAPTERS

SUBPLATES

SUBPLATES
w/
CIRCUITSCOVER
PLATESHEADERS/
JUNCTIONSDIN
BODIES

ACCESSORIES

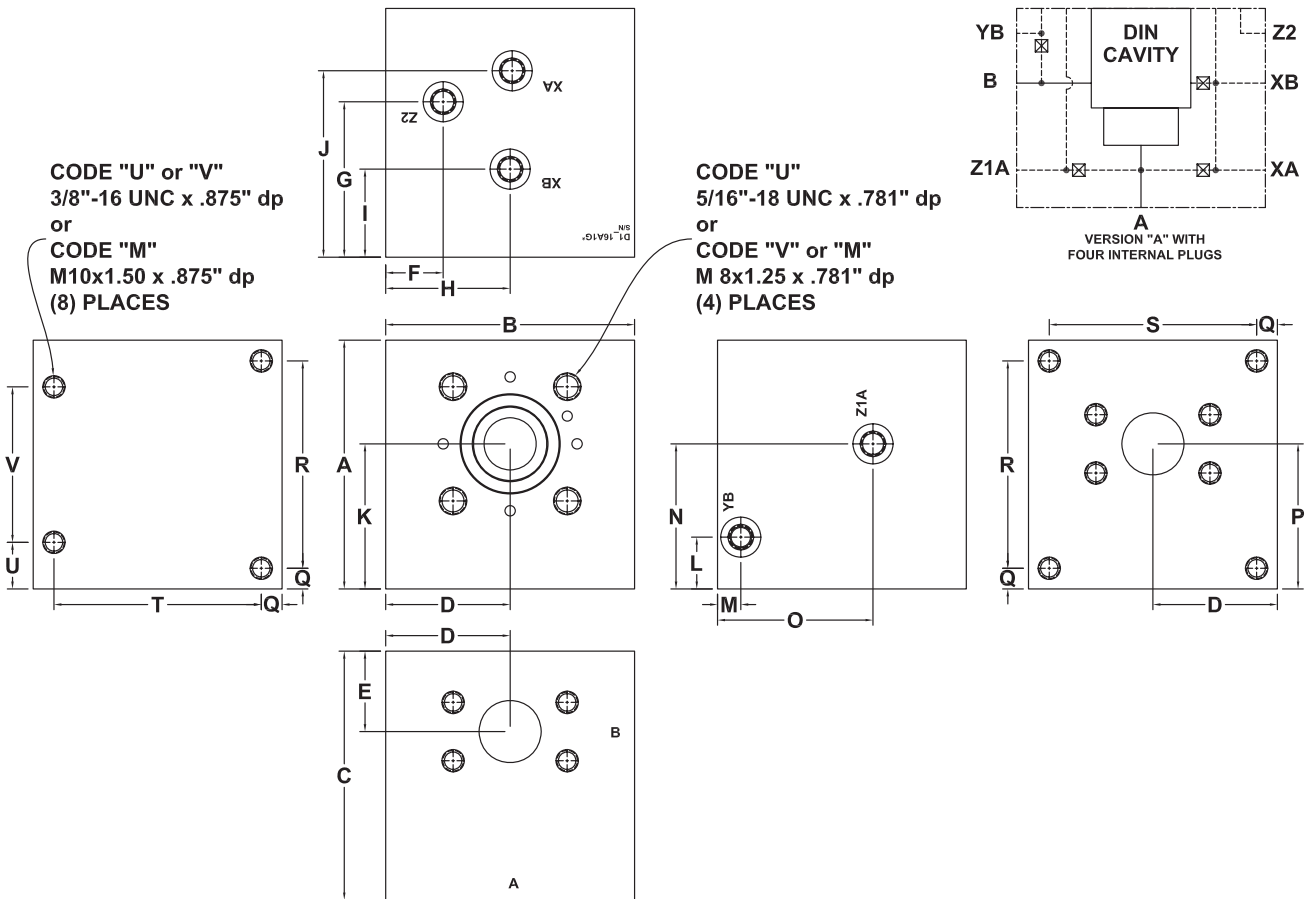
VALVE PACKS
& CUSTOMSTECHNICAL
INFO

DIN Bodies

Din Bodies are designed for standard two-port slip-in cartridges. The bodies are designed to offer the maximum in flexibility in circuit applications. Select a variety of internal or external pilot port configurations with the use of the four internal plugs. These plugs are supplied as standard and make installation easy.

1. Standard materials are Aluminum, Ductile Iron. Other materials including Mild Steel or Stainless Steel are optionally available.
2. Special Finishes including Black Oxide, Electroless Nickel Plating or Anodizing are optionally available.
3. Sizes 16 through 63 single cavity bodies are standard. Contact factory for larger sizes.
4. Internal galleries are maximized within the ISO limits in order to minimize pressure drops and fluid velocities.
5. Circuit Version "A" is standard offering the maximum of pilot port configurations with the use of the internal plugs. Optional circuit versions available upon request. Contact factory for part numbers.
6. All UNC or Metric mounting is standard as is Metric mounting for the valve covers only and UNC mounting for all other tapped holes.
7. ISO flange ports in either Code 61 or 62 are available as standards. Contact factory for models with ISO 6164 high pressure square four-bolt flange ports, ANSI flange ports or other porting styles or combinations.
8. Optional configurations with multiple cavities and circuit layouts are available on request. Contact factory for models available.

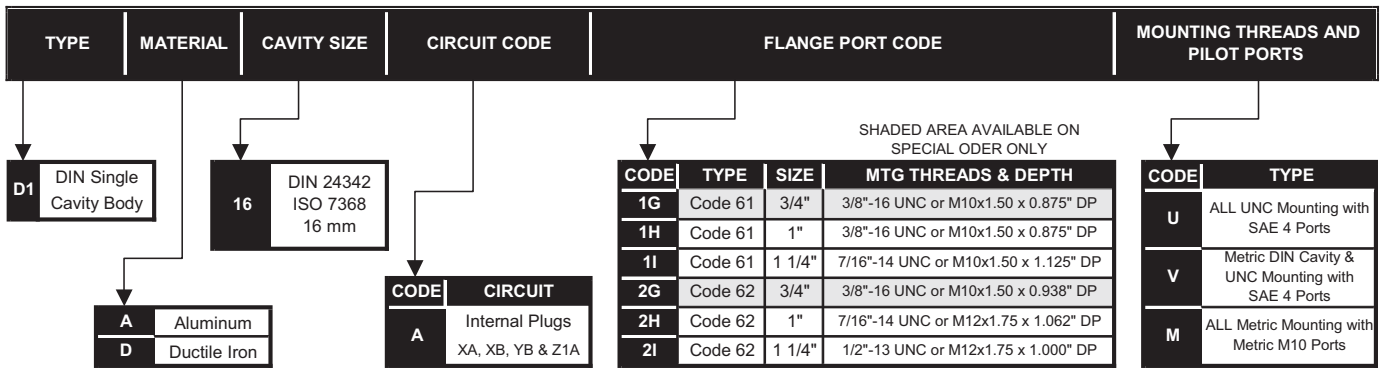
DIN 16 mm Single Cavity Body - Design "A"



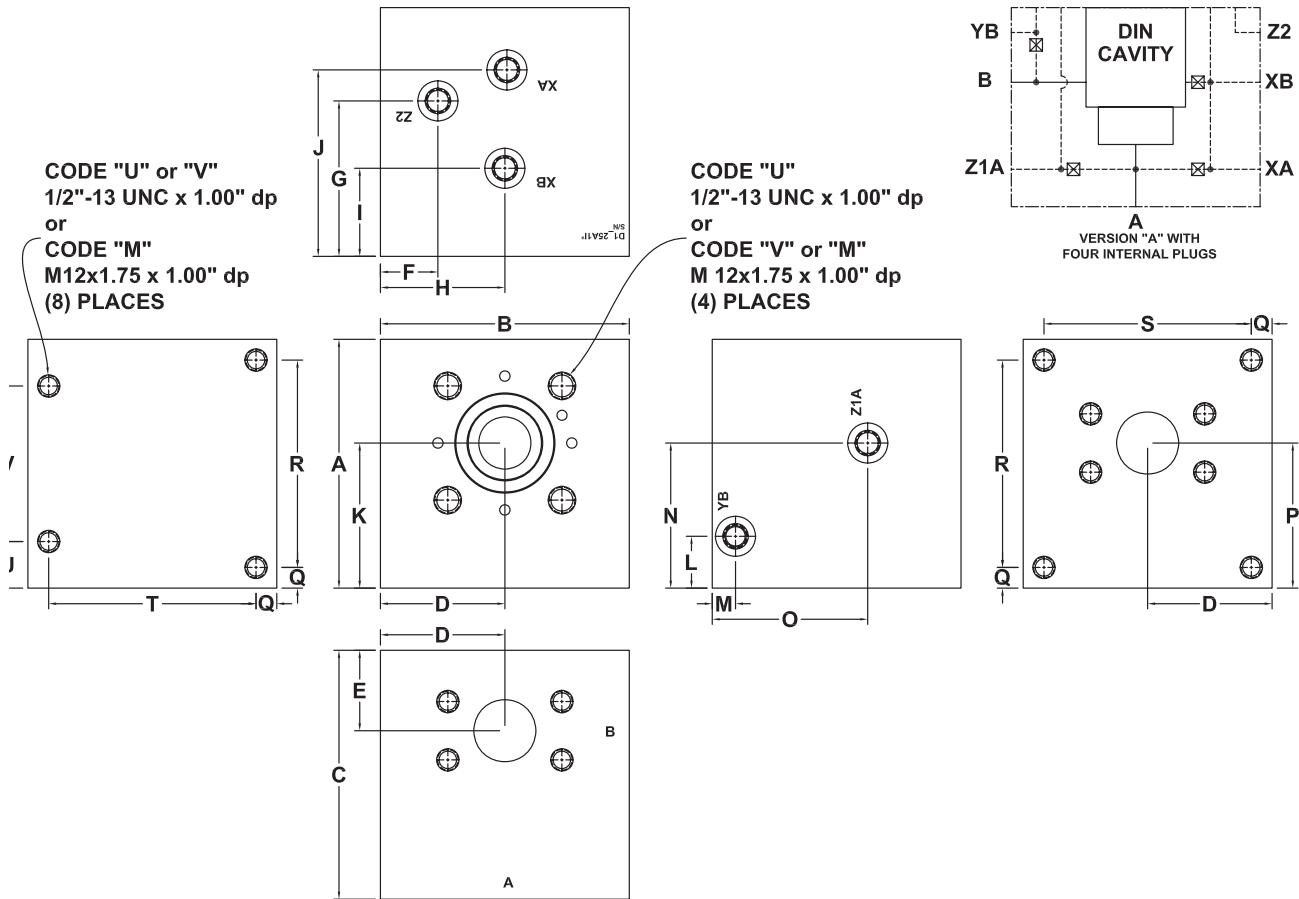
DIM	A	B	C	D	E	F	G	H	I	J	K	L	M	N	O	P	Q	R	S	T	U	V
1G	4.00	4.00	3.00	2.00	1.31	1.02	1.38	2.00	1.38	2.50	2.25	0.63	0.44	2.25	2.50	2.25	0.38	3.25	3.25	2.25	0.78	2.44
1H	4.00	4.00	3.00	2.00	1.50	1.02	1.38	2.00	1.38	2.50	2.25	0.63	0.44	2.25	2.50	2.25	0.38	3.25	3.25	2.25	0.78	2.44
1I	4.00	4.00	4.00	2.00	1.63	1.02	1.38	2.00	1.38	2.50	2.25	0.63	0.44	2.25	2.50	2.13	0.38	3.25	3.25	3.25	0.78	2.44
2G	4.00	4.00	3.00	2.00	1.31	1.02	1.38	2.00	1.38	2.50	2.25	0.63	0.44	2.25	2.50	2.25	0.38	3.25	3.25	2.25	0.78	2.44
2H	4.00	4.00	3.00	2.00	1.50	1.02	1.38	2.00	1.38	2.50	2.25	0.63	0.44	2.25	2.50	2.25	0.38	3.25	3.25	2.25	0.78	2.44
2I	4.00	4.00	4.00	2.00	1.63	1.02	1.38	2.00	1.38	2.50	2.25	0.63	0.44	2.25	2.50	2.13	0.38	3.25	3.25	3.25	0.78	2.44

PART NUMBER SYSTEM

Aluminum Din 16 Block with 1 SAE Code 61Port & UNC Mounting Example : **D1A16A1HU**



DIN 25 mm Single Cavity Body - Design "A"



DIM	A	B	C	D	E	F	G	H	I	J	K	L	M	N	O	P	Q	R	S	T	U	V
1I	5.00	4.00	4.00	2.00	1.75	0.70	2.00	2.00	2.00	3.25	2.75	0.88	0.50	2.75	3.25	2.75	0.50	4.00	3.00	3.00	1.13	2.75
1J	5.00	5.00	4.00	2.50	1.88	1.20	2.00	2.50	2.00	3.25	2.75	0.88	0.50	2.50	3.25	2.50	0.50	4.00	4.00	3.00	1.13	2.75
1K	5.00	5.00	4.00	2.50	2.00	1.20	2.00	2.50	2.00	3.25	2.75	0.88	0.50	2.50	3.25	2.50	0.50	4.00	4.00	3.00	1.13	2.75
2I	5.00	4.00	4.00	2.00	1.75	0.70	2.00	2.00	2.00	3.25	2.75	0.88	0.50	2.75	3.25	2.75	0.50	4.00	3.00	3.00	1.13	2.75
2J	5.00	5.00	4.00	2.50	1.88	1.20	2.00	2.50	2.00	3.25	2.75	0.88	0.50	2.50	3.25	2.50	0.50	4.00	4.00	3.00	1.13	2.75
2K	6.00	6.00	5.00	3.00	2.00	1.70	2.00	3.00	2.00	3.25	3.00	0.88	0.50	3.00	3.25	3.00	0.50	5.00	5.00	4.00	1.13	3.75

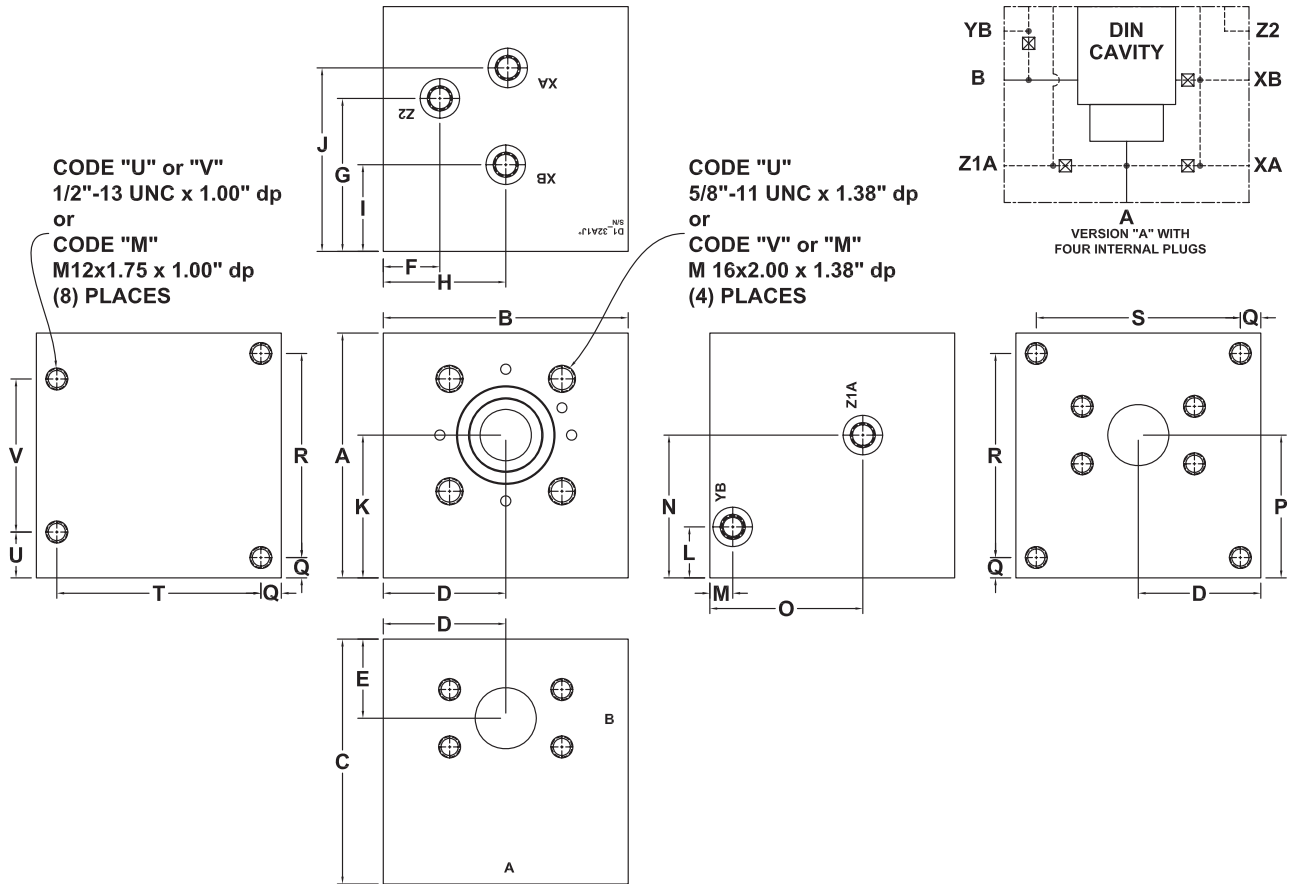
PART NUMBER SYSTEM

Aluminum Din 25 Block with 1 1/4" SAE Code 61Port & UNC Mounting Example : **D1A25A1IU**

TYPE	MATERIAL	CAVITY SIZE	CIRCUIT CODE	FLANGE PORT CODE	MOUNTING THREADS AND PILOT PORTS																												
D1	DIN Single Cavity Body	25	DIN 24342 ISO 7368 25 mm																														
A	Aluminum																																
D	Ductile Iron																																
A			Internal Plugs XA, XB, YB & Z1A																														
<table border="1"> <thead> <tr> <th>CODE</th> <th>TYPE</th> <th>SIZE</th> <th>MTG THREADS & DEPTH</th> </tr> </thead> <tbody> <tr> <td>1I</td> <td>Code 61</td> <td>1 1/4"</td> <td>7/16"-14 UNC or M10x1.50 x 1.125" DP</td> </tr> <tr> <td>1J</td> <td>Code 61</td> <td>1 1/2"</td> <td>1/2"-13 UNC or M12x1.75 x 1.062" DP</td> </tr> <tr> <td>1K</td> <td>Code 61</td> <td>2"</td> <td>1/2"-13 UNC or M12x1.75 x 1.062" DP</td> </tr> <tr> <td>2I</td> <td>Code 62</td> <td>1 1/4"</td> <td>1/2"-13 UNC or M12x1.75 x 1.000" DP</td> </tr> <tr> <td>2J</td> <td>Code 62</td> <td>1 1/2"</td> <td>3/4"-10 UNC or M20x2.00 x 1.500" DP</td> </tr> <tr> <td>2K</td> <td>Code 62</td> <td>2"</td> <td>3/4"-10 UNC or M20x2.50 x 1.500" DP</td> </tr> </tbody> </table>						CODE	TYPE	SIZE	MTG THREADS & DEPTH	1I	Code 61	1 1/4"	7/16"-14 UNC or M10x1.50 x 1.125" DP	1J	Code 61	1 1/2"	1/2"-13 UNC or M12x1.75 x 1.062" DP	1K	Code 61	2"	1/2"-13 UNC or M12x1.75 x 1.062" DP	2I	Code 62	1 1/4"	1/2"-13 UNC or M12x1.75 x 1.000" DP	2J	Code 62	1 1/2"	3/4"-10 UNC or M20x2.00 x 1.500" DP	2K	Code 62	2"	3/4"-10 UNC or M20x2.50 x 1.500" DP
CODE	TYPE	SIZE	MTG THREADS & DEPTH																														
1I	Code 61	1 1/4"	7/16"-14 UNC or M10x1.50 x 1.125" DP																														
1J	Code 61	1 1/2"	1/2"-13 UNC or M12x1.75 x 1.062" DP																														
1K	Code 61	2"	1/2"-13 UNC or M12x1.75 x 1.062" DP																														
2I	Code 62	1 1/4"	1/2"-13 UNC or M12x1.75 x 1.000" DP																														
2J	Code 62	1 1/2"	3/4"-10 UNC or M20x2.00 x 1.500" DP																														
2K	Code 62	2"	3/4"-10 UNC or M20x2.50 x 1.500" DP																														
<table border="1"> <thead> <tr> <th>CODE</th> <th>TYPE</th> </tr> </thead> <tbody> <tr> <td>U</td> <td>ALL UNC Mounting with SAE 6 Ports</td> </tr> <tr> <td>V</td> <td>Metric DIN Cavity & UNC Mounting with SAE 6 Ports</td> </tr> <tr> <td>M</td> <td>ALL Metric Mounting with Metric M14 Ports</td> </tr> </tbody> </table>						CODE	TYPE	U	ALL UNC Mounting with SAE 6 Ports	V	Metric DIN Cavity & UNC Mounting with SAE 6 Ports	M	ALL Metric Mounting with Metric M14 Ports																				
CODE	TYPE																																
U	ALL UNC Mounting with SAE 6 Ports																																
V	Metric DIN Cavity & UNC Mounting with SAE 6 Ports																																
M	ALL Metric Mounting with Metric M14 Ports																																

BAR MANIFOLDS
TAPPING PLATES
VALVE ADAPTERS
SUBPLATES
SUBPLATES w/ CIRCUITS
COVER PLATES
HEADERS/JUNCTIONS
DIN BODIES
ACCESSORIES & CUSTOMS
VALVE PACKS
TECHNICAL INFO

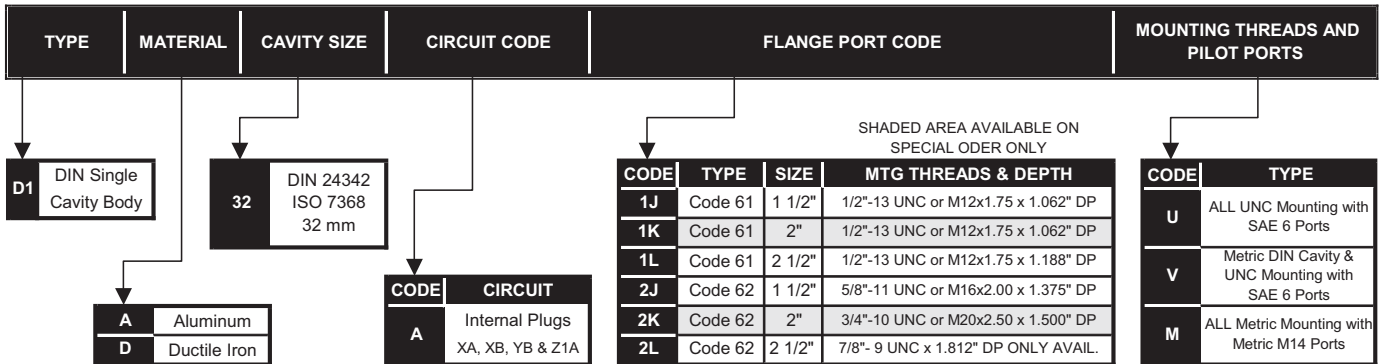
DIN 32 mm Single Cavity Body - Design "A"



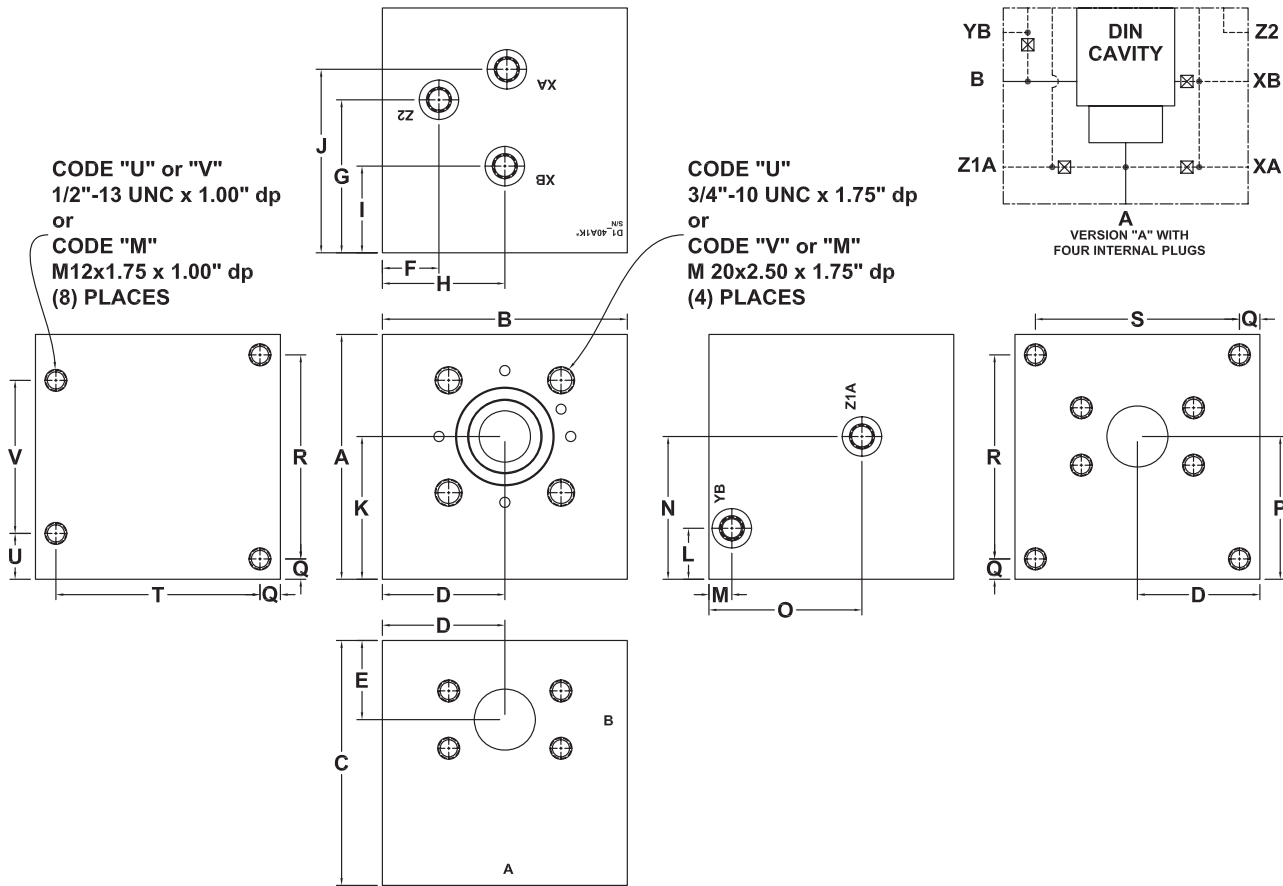
DIM	A	B	C	D	E	F	G	H	I	J	K	L	M	N	O	P	Q	R	S	T	U	V	
1J	6.00	6.00	6.00	3.00	1.94	1.39	3.75	3.00	2.13	3.75	3.50	1.25	0.56	3.50	3.75	3.50	0.50	5.00	5.00	5.00	5.00	1.13	3.75
1K	6.00	6.00	6.00	3.00	2.19	1.39	3.75	3.00	2.13	3.75	3.50	1.25	0.56	3.50	3.75	3.50	0.50	5.00	5.00	5.00	5.00	1.13	3.75
1L	6.00	6.00	6.00	3.00	2.38	1.39	3.75	3.00	2.13	3.75	3.50	1.25	0.56	3.50	3.75	3.50	0.50	5.00	5.00	5.00	5.00	1.13	3.75
2J	6.00	6.00	6.00	3.00	1.94	1.39	3.75	3.00	2.13	3.75	3.50	1.25	0.56	3.50	3.75	3.50	0.50	5.00	5.00	5.00	5.00	1.13	3.75
2K	6.00	6.00	6.00	3.00	2.44	1.39	3.75	3.00	2.13	3.75	3.50	1.25	0.56	3.50	3.75	3.50	0.50	5.00	5.00	5.00	5.00	1.13	3.75
2L	7.00	7.00	7.50	3.50	3.00	1.89	3.75	3.50	2.13	3.75	3.50	1.25	0.56	3.50	3.75	3.50	0.50	6.00	6.00	6.50	1.13	4.75	

PART NUMBER SYSTEM

Aluminum Din 32 Block with 1 1/2" SAE Code 61Port & UNC Mounting Example : **D1A32A1JU**



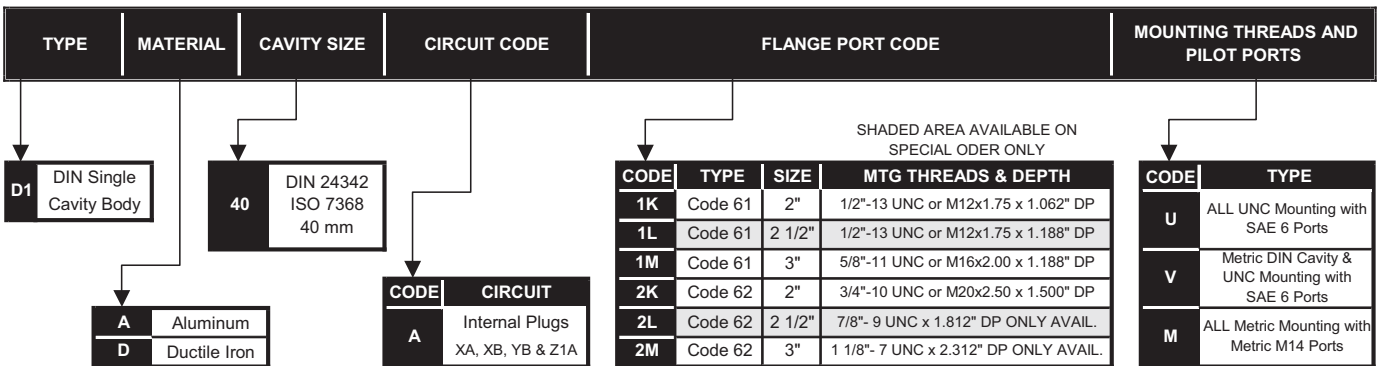
DIN 40 mm Single Cavity Body - Design "A"



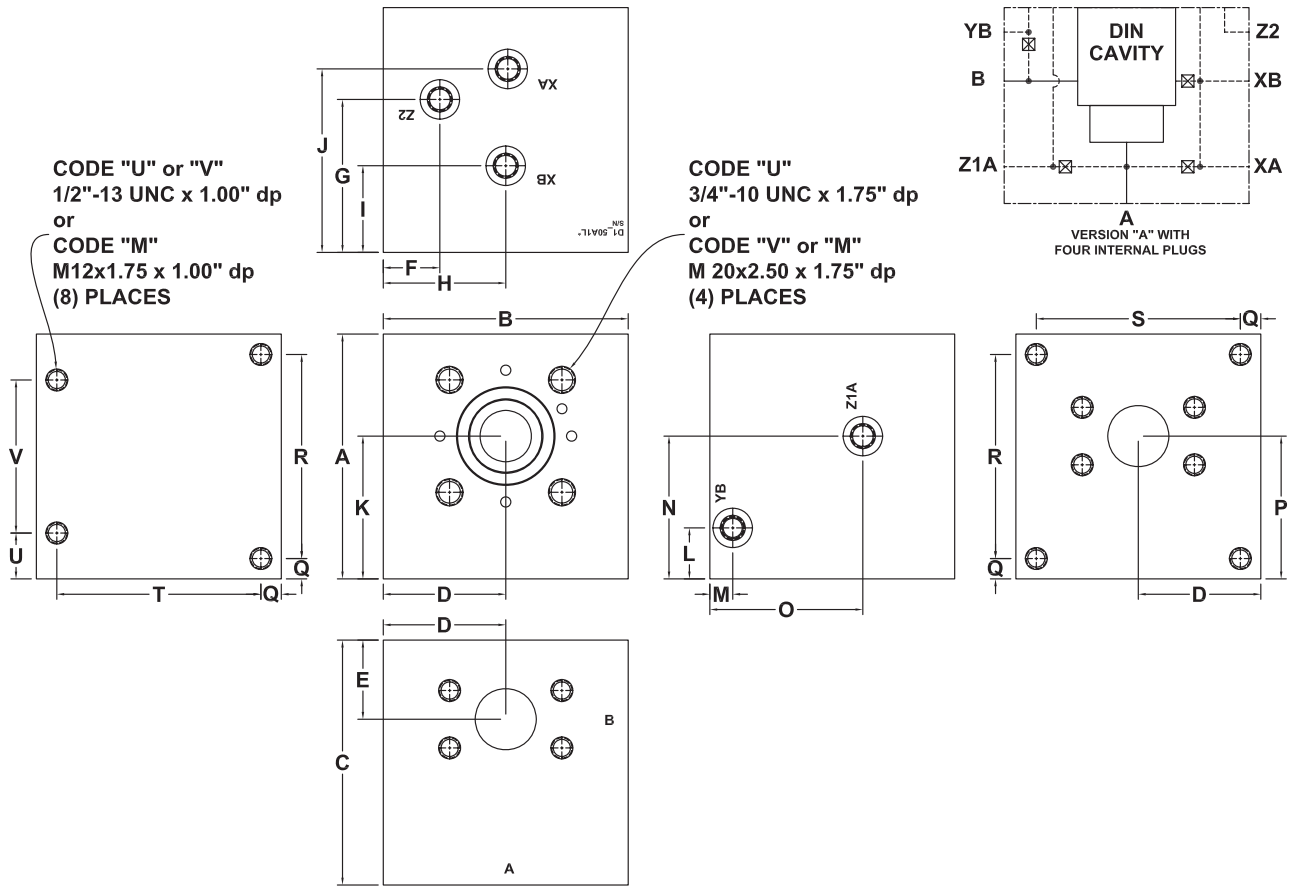
DIM	A	B	C	D	E	F	G	H	I	J	K	L	M	N	O	P	Q	R	S	T	U	V
1K	7.00	6.00	6.00	3.00	2.34	1.03	3.41	3.00	2.13	4.75	4.13	1.25	0.56	4.13	4.75	4.13	0.50	6.00	5.00	5.00	1.03	4.94
1L	7.00	6.00	6.00	3.00	2.34	1.03	3.41	3.00	2.13	4.75	4.13	1.25	0.56	4.13	4.75	4.13	0.50	6.00	5.00	5.00	1.03	4.94
1M	7.00	6.00	6.00	3.00	2.69	1.03	3.41	3.00	2.13	4.75	4.13	1.25	0.56	4.13	4.75	4.13	0.50	6.00	5.00	5.00	1.03	4.94
2K	7.00	6.00	6.00	3.00	2.34	1.03	3.41	3.00	2.13	4.75	4.13	1.25	0.56	4.13	4.75	4.13	0.50	6.00	5.00	5.00	1.03	4.94
2L	8.00	8.00	6.00	4.00	3.00	2.03	3.41	4.00	2.13	4.75	4.50	1.25	0.56	4.50	4.75	4.50	0.50	7.00	7.00	5.00	1.03	5.94
2M	9.00	9.00	9.00	4.50	3.50	2.53	3.41	4.50	2.13	4.75	4.50	1.25	0.56	4.50	4.75	4.50	0.50	8.00	8.00	8.00	1.03	6.94

PART NUMBER SYSTEM

Aluminum Din 40 Block with 2" SAE Code 61Port & UNC Mounting Example : **D1A40A1KU**



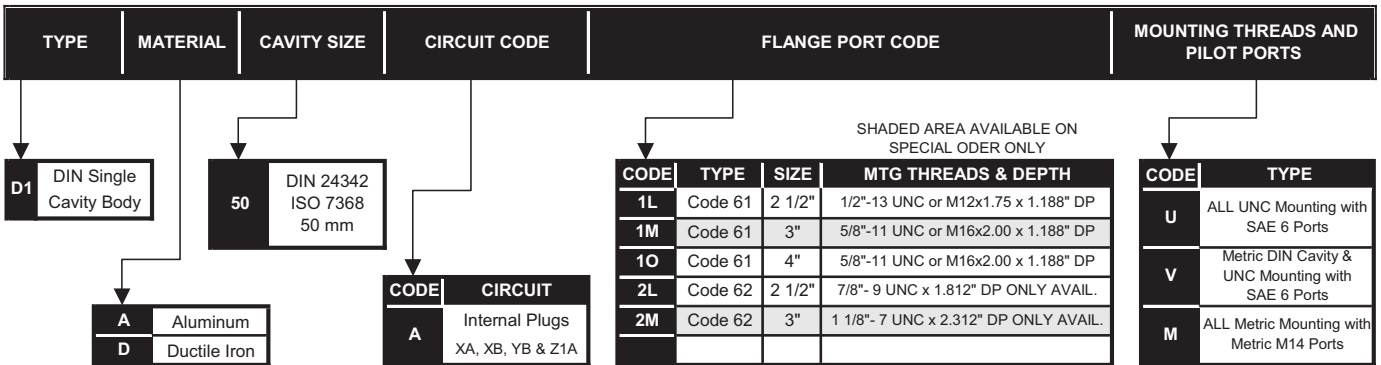
DIN 50 mm Single Cavity Body - Design "A"



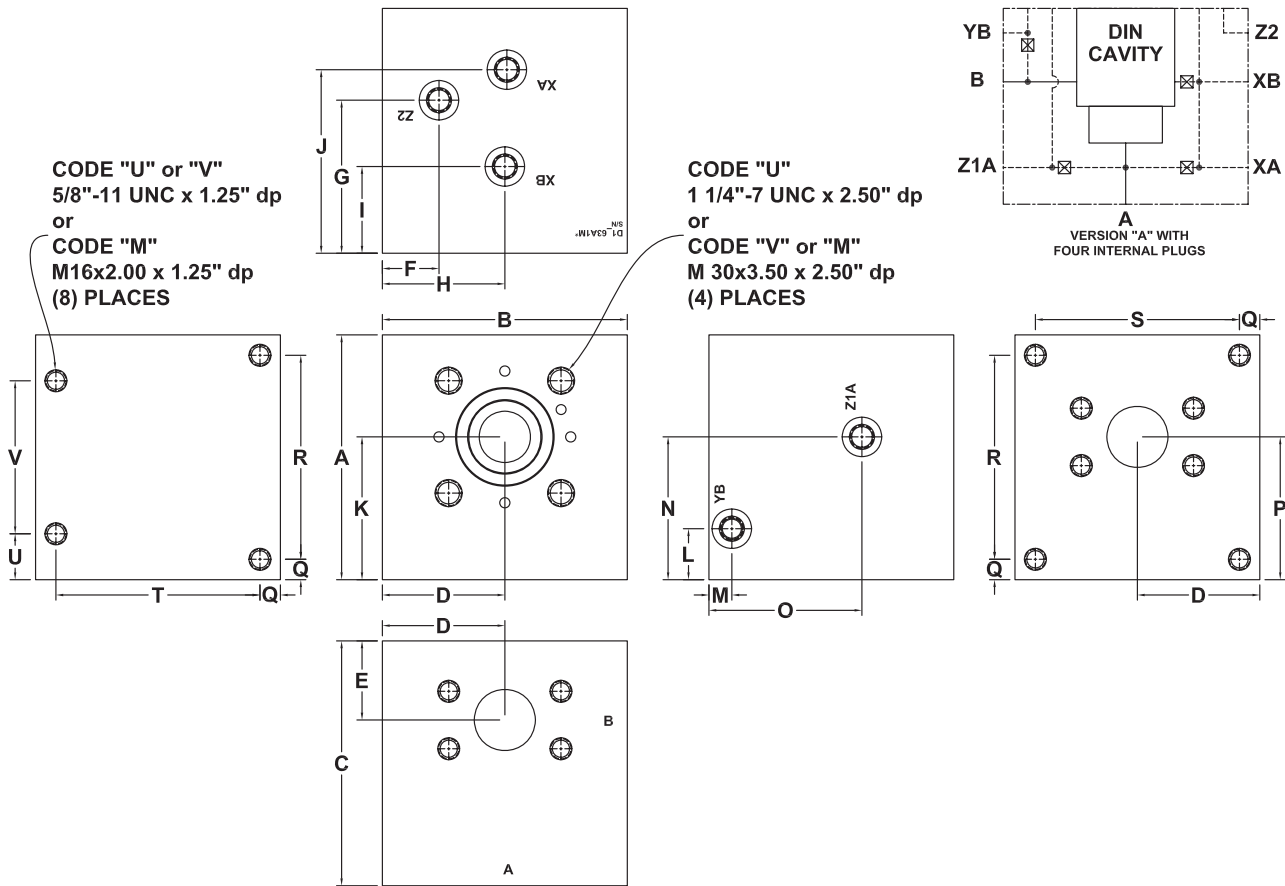
DIM	A	B	C	D	E	F	G	H	I	J	K	L	M	N	O	P	Q	R	S	T	U	V
1L	7.50	7.00	7.00	3.50	3.00	1.22	3.50	3.50	3.50	5.50	4.25	1.25	0.56	4.25	5.50	4.25	0.50	6.50	6.00	6.00	1.13	5.25
1M	7.50	7.00	7.00	3.50	3.00	1.22	3.50	3.50	3.50	5.50	4.25	1.25	0.56	4.25	5.50	4.25	0.50	6.50	6.00	6.00	1.13	5.25
1O	7.50	7.00	7.00	3.50	3.25	1.22	3.50	3.50	3.50	5.50	4.25	1.25	0.56	4.25	5.50	4.25	0.50	6.50	6.00	6.00	1.13	5.25
2L	7.50	7.00	7.00	3.50	3.00	1.22	3.50	3.50	3.50	5.50	4.25	1.25	0.56	4.25	5.50	4.25	0.50	6.50	6.00	6.00	1.13	5.25
2M	9.00	9.00	7.00	4.50	3.50	2.22	3.50	4.50	3.50	5.50	5.25	1.25	0.56	5.25	5.50	5.25	0.50	8.00	8.00	6.00	1.13	6.75

PART NUMBER SYSTEM

Aluminum Din 50 Block with 2 1/2" SAE Code 61Port & UNC Mounting Example : **D1A50A1LU**



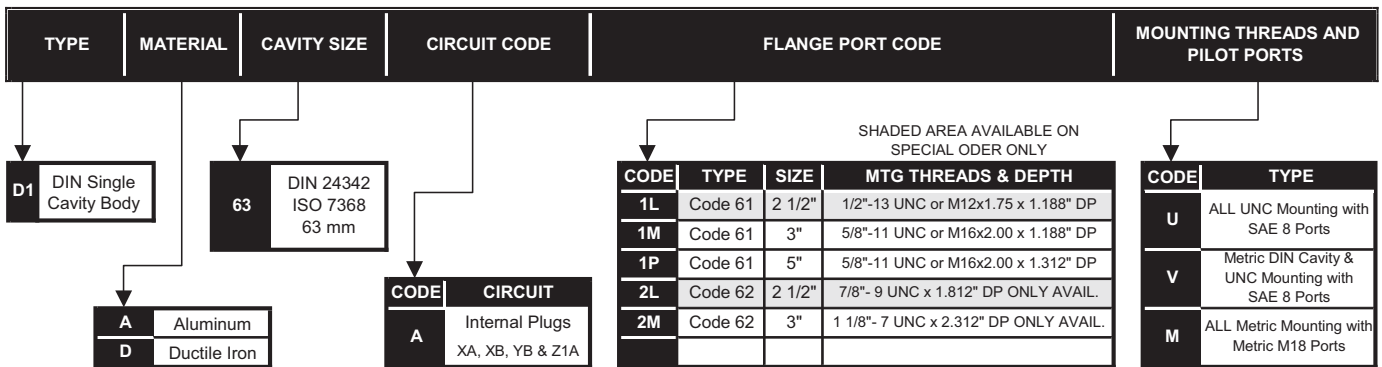
DIN 63 mm Single Cavity Body - Design "A"



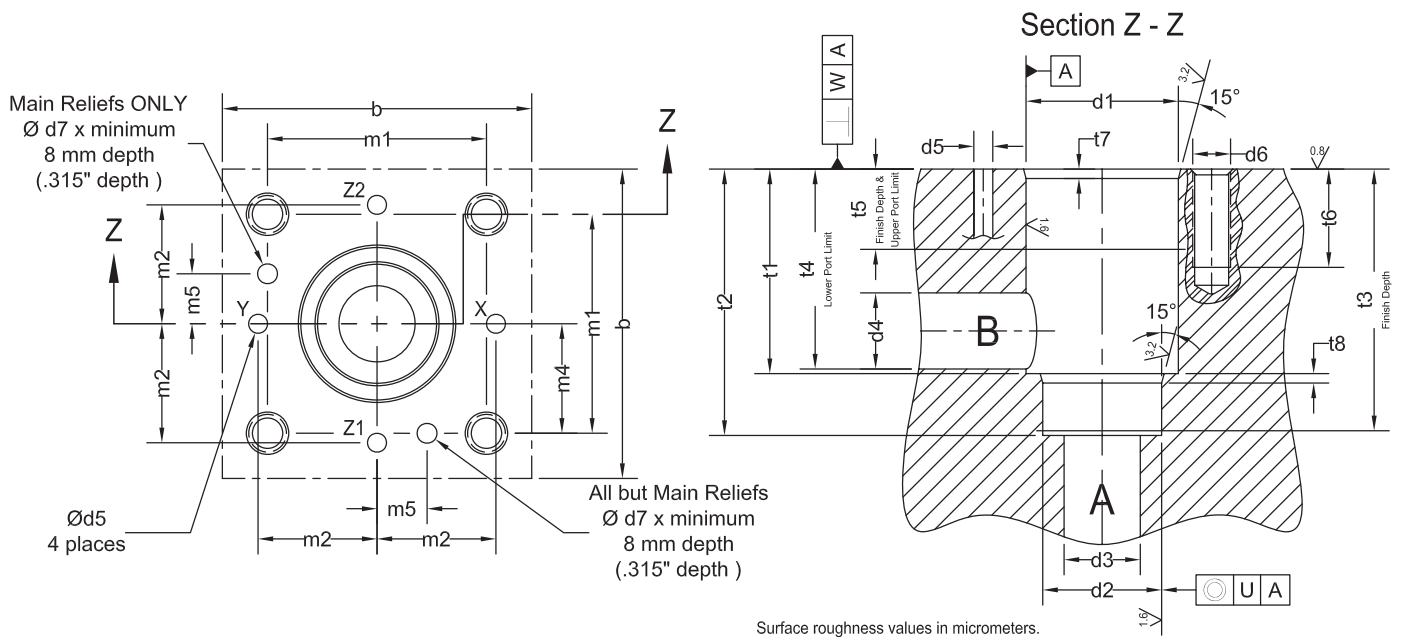
DIM	A	B	C	D	E	F	G	H	I	J	K	L	M	N	O	P	Q	R	S	T	U	V
1L	9.00	8.00	8.00	4.00	3.75	1.05	4.50	4.00	4.50	6.50	5.00	0.75	0.63	5.00	6.50	5.00	0.63	7.75	6.75	6.75	1.38	6.25
1M	9.00	8.00	8.00	4.00	3.50	1.05	4.50	4.00	4.50	6.50	5.00	0.75	0.63	5.00	6.50	5.00	0.63	7.75	6.75	6.75	1.38	6.25
1P	9.00	8.00	8.00	4.00	3.75	1.05	4.50	4.00	4.50	6.50	5.00	0.75	0.63	5.00	6.50	5.00	0.63	7.75	6.75	6.75	1.38	6.25
2L	10.00	8.00	8.00	4.00	3.75	1.05	4.50	4.00	4.50	6.50	6.00	0.75	0.63	6.00	6.50	6.00	0.63	8.75	6.75	6.75	1.38	7.25
2M	10.00	9.00	8.00	4.50	3.50	1.55	4.50	4.50	4.50	6.50	6.00	0.75	0.63	6.00	6.50	6.00	0.63	8.75	7.75	6.75	1.38	7.25

PART NUMBER SYSTEM

Aluminum Din 63 Block with 3" SAE Code 61Port & UNC Mounting Example : **D1A63A1MU**



ISO 7368: Two-Port Slip-In Cartridge Valve Cavity



	Tolerances and Limits		NOMINAL DIAMETER											
			16		25		32		40		50		63	
	mm	in	mm	in	mm	in	mm	in	mm	in	mm	in	mm	in
b	min	min	65	2.559	85	3.346	102	4.016	125	4.921	140	5.512	180	7.087
d1	H8	-	32	1.260	45	1.772	60	2.362	75	2.953	90	3.543	120	4.724
d2	H8	-	25	0.984	34	1.339	45	1.772	55	2.165	68	2.677	90	3.543
d3	max	max	16	0.630	25	0.984	32	1.260	40	1.575	50	1.969	63	2.480
d4	(1)	(1)	16	0.630	25	0.984	31.5	1.240	40	1.575	50	1.969	63	2.480
d4	max	max	22.5	0.886	27	1.063	38.5	1.516	54.5	2.146	62.5	2.461	87	3.425
d5	max	max	4	0.157	6	0.236	8	0.315	10	0.394	10	0.394	12	0.472
d6			M8	5/16"-18	M12	1/2"-13	M16	5/8"-11	M20	3/4"-10	M20	3/4"-10	M30	1-1/4"-7
d7	H13	-	4	0.157	6	0.236	6	0.236	6	0.236	8	0.315	8	0.315
m1	± 0.2	± 0.008	46	1.811	58	2.283	70	2.756	85	3.346	100	3.937	125	4.921
m2	± 0.2	± 0.008	25	0.984	33	1.299	41	1.614	50	1.969	58	2.283	75	2.953
m4	± 0.2	± 0.008	23	0.906	29	1.142	35	1.378	42.5	1.673	50	1.969	62.5	2.461
m5	± 0.2	± 0.008	10.5	0.413	16	0.630	17	0.669	23	0.906	30	1.181	38	1.496
t1	+ 0.1/0	+ .004/0	43	1.693	58	2.283	70	2.756	87	3.425	100	3.937	130	5.118
t2	+ 0.1/0	+ .004/0	56	2.205	72	2.835	85	3.346	105	4.134	122	4.803	155	6.102
t3			54	2.126	70	2.756	83	3.268	102	4.016	117	4.606	150	5.906
t4	max	max	42.5	1.673	57	2.244	68.5	2.697	84.5	3.327	97.5	3.839	127	5.000
t5	min	min	20	0.787	30	1.181	30	1.181	30	1.181	35	1.378	40	1.575
t6	(2)	(2)	20	0.787	25	0.984	35	1.378	45	1.772	45	1.772	65	2.559
t7			2	0.079	2.5	0.098	2.5	0.098	3	0.118	4	0.157	4	0.157
t8			2	0.079	2.5	0.098	2.5	0.098	3	0.118	3	0.118	4	0.157
U			0.03	0.0012	0.03	0.0012	0.03	0.0012	0.05	0.0020	0.05	0.0020	0.05	0.0020
W			0.05	0.0020	0.05	0.0020	0.10	0.0039	0.10	0.0039	0.10	0.0039	0.20	0.0079

NOTES:

- 1) Per ISO 7368 Port B (suggested diameter d4) shall be located between the dimensions indicated as t4 and t5.
- 2) Per ISO 7368 the minimum thread depth is 1.5 times the bolt diameter, d6. The recommended full thread depth is 2 times d6 plus 6mm to facilitate interchangeability of valves and to reduce the number of fixing bolt lengths. However, sufficient distance from fixing hole to Port B shall be respected.