

**Index**

**Tapping Plates**

|  |                 |
|--|-----------------|
| D02 Tapping Plates .....                         | 2.01.01         |
| D03 Tapping Plates .....                         | 2.02.01         |
| D05 Tapping Plates .....                         | 2.03.01         |
| D05H Tapping Plates .....                        | 2.03.02         |
| D05HE Tapping Plates.....                        | 2.03.03         |
| D07 Tapping Plates .....                         | 2.04.01         |
| D08 Tapping Plates .....                         | 2.05.01         |
| D07, D08 & D10 "P, A, B & T" Tapping Plates..... | 2.06.01         |
| Test Points .....                                | 2.99.01         |
| Oversized Ports (Full Flow) .....                | Consult Factory |
| Servo Interfaces Tapping Plates .....            | Consult Factory |
| 2 Speed Sandwich Tapping Plates .....            | Consult Factory |

|                          |
|--------------------------|
| BAR<br>MANIFOLDS         |
| TAPPING<br>PLATES        |
| VALVE<br>ADAPTERS        |
| SUBPLATES                |
| SUBPLATES<br>w/ CIRCUITS |
| COVER<br>PLATES          |
| HEADERS/<br>JUNCTIONS    |
| DIN<br>BODIES            |
| ACCESSORIES              |
| VALVE PACKS<br>& CUSTOMS |
| TECHNICAL<br>INFO        |

## Product Tips and Features

BAR  
MANIFOLDSTAPPING  
PLATESVALVE  
ADAPTERS

SUBPLATES

SUBPLATES  
w/  
CIRCUITSCOVER  
PLATESHEADERS/  
JUNCTIONSDIN  
BODIES

ACCESSORIES

VALVE PACKS  
& CUSTOMSTECHNICAL  
INFO

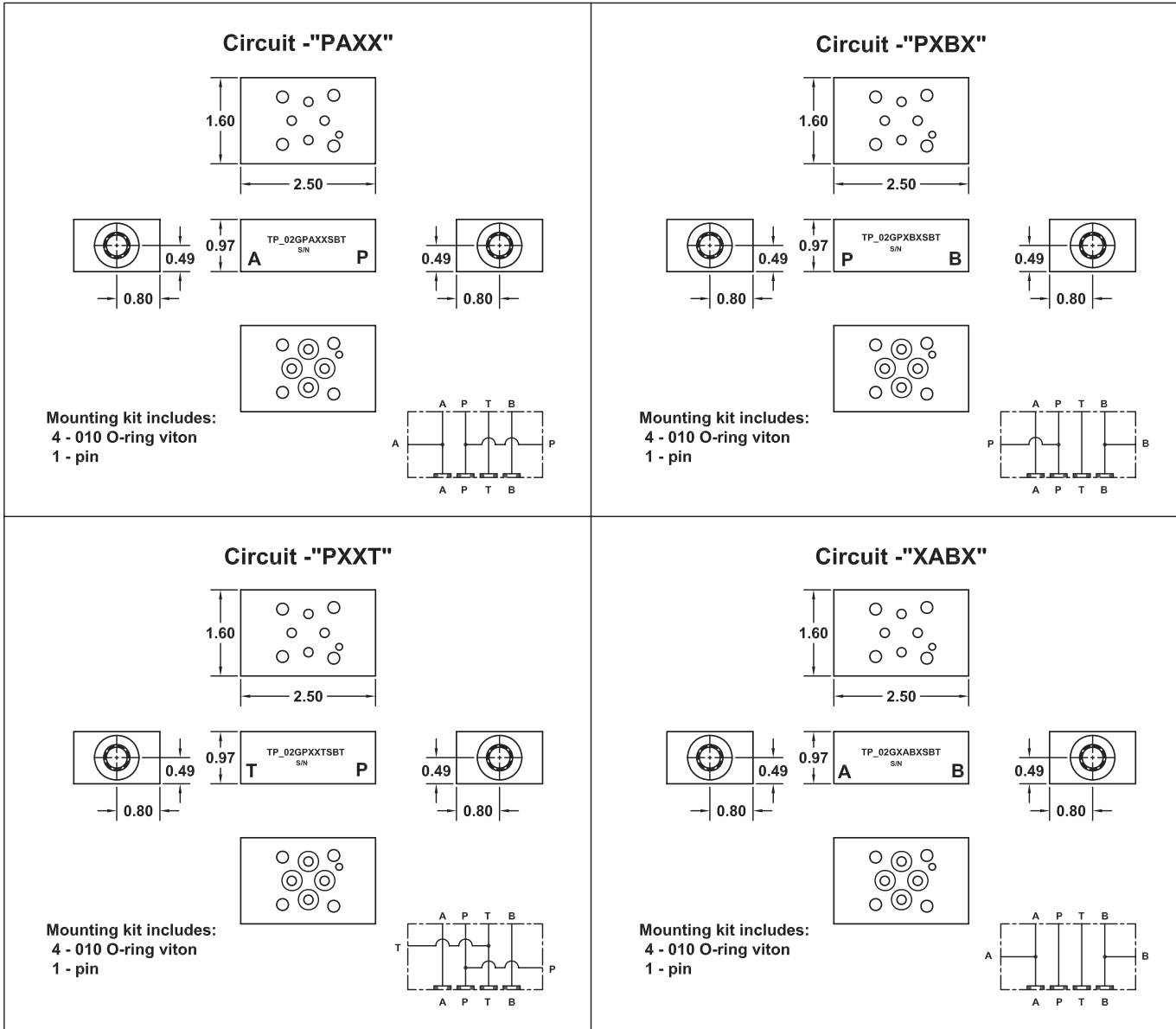
### Tapping Plates

Tapping Plates are sandwich adapters designed to provide a means to easily take pressure readings from the work ports.

1. Standard materials are Aluminum and Ductile Iron. Other materials including Mild Steel or Stainless Steel are optionally available.
2. Special Finishes including Black Oxide, Electroless Nickel Plating or Anodizing are optionally available.
3. Clearance holes are designed to accommodate either UNC or Metric interface fasteners.
4. Standard Connection Points are P & A, P & B, P & T, and A & B for all solenoid interfaces up to D08 size
5. Standard Connection Points for P, A, B & T ports are available for D07, D08 & D10 sizes. D05 size is available on request.
6. Nominal 1/4" Connection Points for test points as shown are Standard. Larger port sizes for higher flows are available on request.
7. Viton O rings and locating pins are supplied as standard.
8. Tapping Plates for Servo Valves are available. Please contact Factory for Part Numbers.
9. Special Tapping Plates can be ordered for external pressure connections from a secondary pressure source. Please contact factory for Part Number and availability.

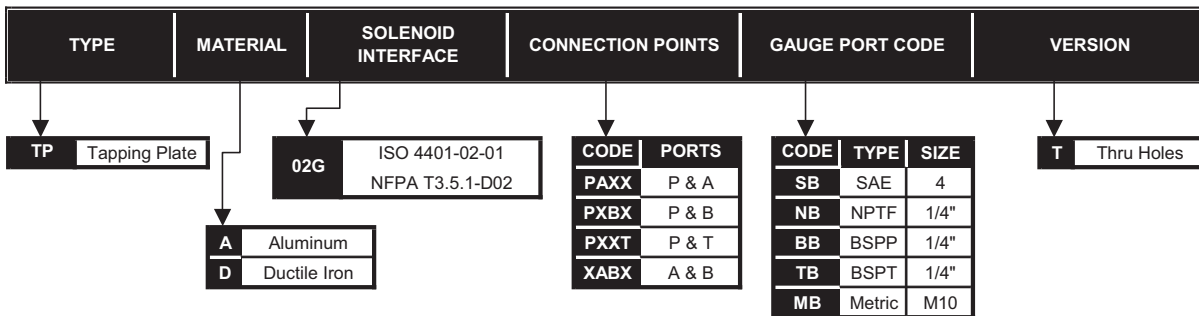
## D02 Tapping Plates

BAR  
MANIFOLDS  
TAPPING  
PLATES  
VALVE  
ADAPTERS  
SUBPLATES  
SUBPLATES  
w/ CIRCUITS  
COVER  
PLATES  
HEADERS/  
JUNCTIONS  
DIN  
BODIES  
ACCESSORIES  
VALVE PACKS  
& CUSTOMS  
TECHNICAL  
INFO

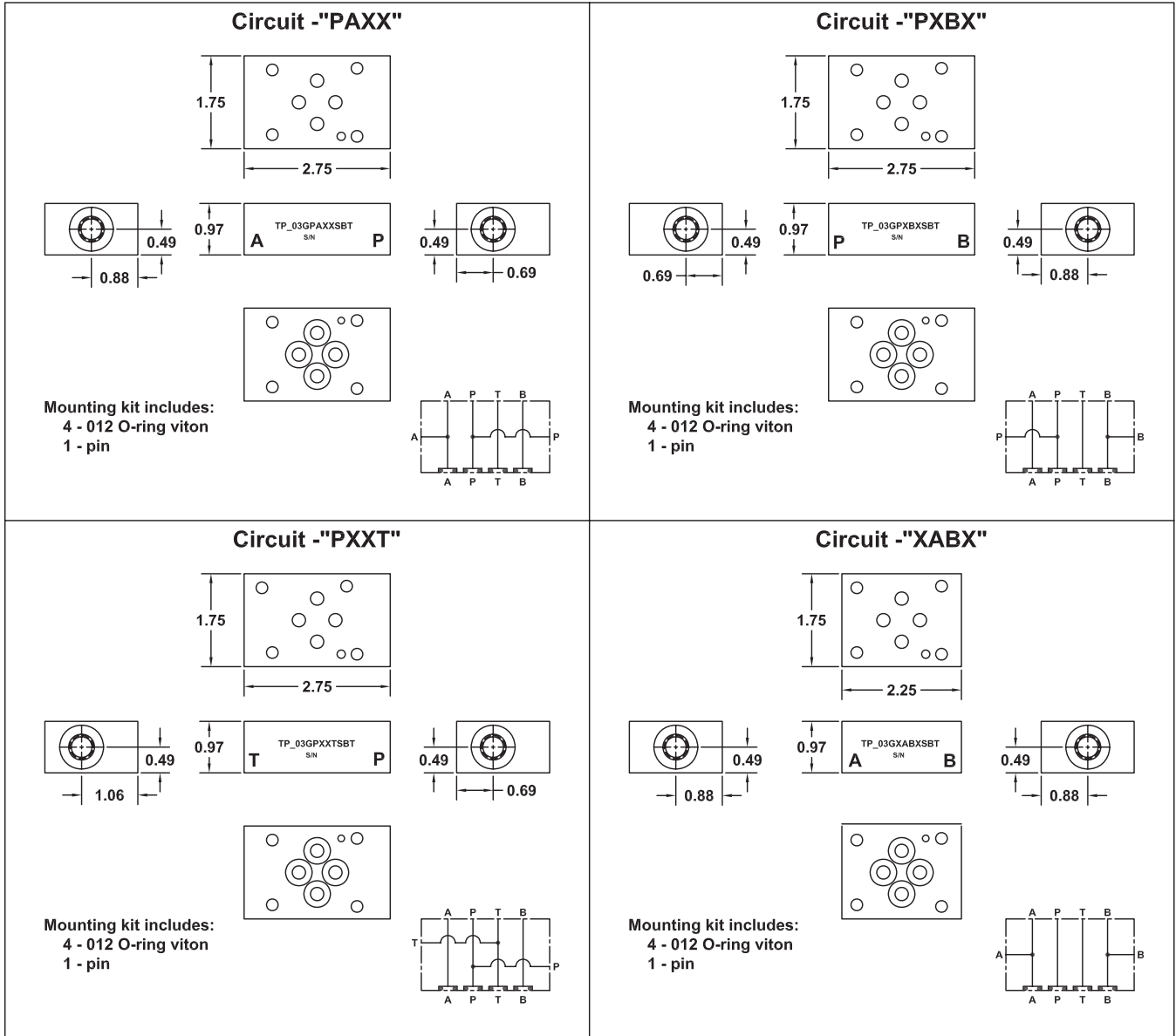


### PART NUMBER SYSTEM

Aluminum D02 Tapping Plate with SAE 4 Gauge Ports on A & B Example : **TPA02GXABXS**

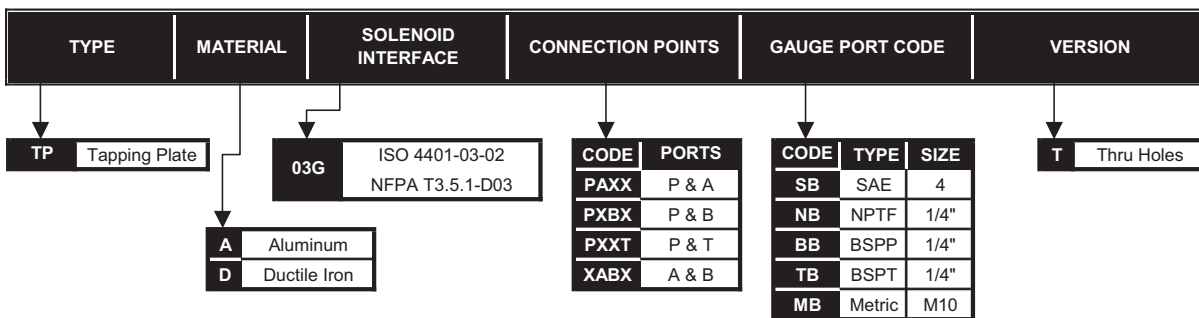


## D03 Tapping Plates



### PART NUMBER SYSTEM

Aluminum D03 Tapping Plate with SAE 4 Gauge Ports on A & B Example : **TPA03GXABXSBT**



## D05 Tapping Plates

BAR  
MANIFOLDS

TAPPING  
PLATES

VALVE  
ADAPTERS

SUBPLATES

SUBPLATES  
w/  
CIRCUITS

COVER  
PLATES

HEADERS/  
JUNCTIONS

DIN  
BODIES

ACCESSORIES

VALVE PACKS  
& CUSTOMS

TECHNICAL  
INFO

|   |   |
|---|---|
| <p><b>Circuit -"PAXX"</b></p> <p>TP_05GPAXXSBT<br/>SIN *****</p> <p>Mounting kit includes:<br/>5 - 014 O-ring viton</p> | <p><b>Circuit -"PXBX"</b></p> <p>TP_05GPXBXSBT<br/>SIN *****</p> <p>Mounting kit includes:<br/>5 - 014 O-ring viton</p> |
| <p><b>Circuit -"PXXT"</b></p> <p>TP_05GPXXTSBT<br/>SIN *****</p> <p>Mounting kit includes:<br/>5 - 014 O-ring viton</p> | <p><b>Circuit -"XABX"</b></p> <p>TP_05GXABXSBT<br/>SIN *****</p> <p>Mounting kit includes:<br/>5 - 014 O-ring viton</p> |

### PART NUMBER SYSTEM

Aluminum D05 Tapping Plate with SAE 4 Gauge Ports on A & B Example : **TPA05GXABXSBT**

| TYPE             | MATERIAL                     | SOLENOID INTERFACE                     | CONNECTION POINTS   | GAUGE PORT CODE | VERSION |      |       |      |       |      |       |      |       |  |      |      |      |    |     |   |    |      |      |    |      |      |    |      |      |    |        |     |              |
|------------------|------------------------------|--|---|-----------------|---------|------|-------|------|-------|------|-------|------|-------|--|------|------|------|----|-----|---|----|------|------|----|------|------|----|------|------|----|--------|-----|--------------|
| TP Tapping Plate | A Aluminum<br>D Ductile Iron | 05G ISO 4401-05-04<br>NFFPA T3.5.1-D05 | <table border="1"> <thead> <tr> <th>CODE</th> <th>PORTS</th> </tr> </thead> <tbody> <tr> <td>PAXX</td> <td>P &amp; A</td> </tr> <tr> <td>PXBX</td> <td>P &amp; B</td> </tr> <tr> <td>PXXT</td> <td>P &amp; T</td> </tr> <tr> <td>XABX</td> <td>A &amp; B</td> </tr> </tbody> </table> | CODE            | PORTS   | PAXX | P & A | PXBX | P & B | PXXT | P & T | XABX | A & B | <table border="1"> <thead> <tr> <th>CODE</th> <th>TYPE</th> <th>SIZE</th> </tr> </thead> <tbody> <tr> <td>SB</td> <td>SAE</td> <td>4</td> </tr> <tr> <td>NB</td> <td>NPTF</td> <td>1/4"</td> </tr> <tr> <td>BB</td> <td>BSPP</td> <td>1/4"</td> </tr> <tr> <td>TB</td> <td>BSPT</td> <td>1/4"</td> </tr> <tr> <td>MB</td> <td>Metric</td> <td>M10</td> </tr> </tbody> </table> | CODE | TYPE | SIZE | SB | SAE | 4 | NB | NPTF | 1/4" | BB | BSPP | 1/4" | TB | BSPT | 1/4" | MB | Metric | M10 | T Thru Holes |
| CODE             | PORTS                        |  |   |                 |         |      |       |      |       |      |       |      |       |  |      |      |      |    |     |   |    |      |      |    |      |      |    |      |      |    |        |     |              |
| PAXX             | P & A                        |  |   |                 |         |      |       |      |       |      |       |      |       |  |      |      |      |    |     |   |    |      |      |    |      |      |    |      |      |    |        |     |              |
| PXBX             | P & B                        |  |   |                 |         |      |       |      |       |      |       |      |       |  |      |      |      |    |     |   |    |      |      |    |      |      |    |      |      |    |        |     |              |
| PXXT             | P & T                        |  |   |                 |         |      |       |      |       |      |       |      |       |  |      |      |      |    |     |   |    |      |      |    |      |      |    |      |      |    |        |     |              |
| XABX             | A & B                        |  |   |                 |         |      |       |      |       |      |       |      |       |  |      |      |      |    |     |   |    |      |      |    |      |      |    |      |      |    |        |     |              |
| CODE             | TYPE                         | SIZE                                   |   |                 |         |      |       |      |       |      |       |      |       |  |      |      |      |    |     |   |    |      |      |    |      |      |    |      |      |    |        |     |              |
| SB               | SAE                          | 4                                      |   |                 |         |      |       |      |       |      |       |      |       |  |      |      |      |    |     |   |    |      |      |    |      |      |    |      |      |    |        |     |              |
| NB               | NPTF                         | 1/4"                                   |   |                 |         |      |       |      |       |      |       |      |       |  |      |      |      |    |     |   |    |      |      |    |      |      |    |      |      |    |        |     |              |
| BB               | BSPP                         | 1/4"                                   |   |                 |         |      |       |      |       |      |       |      |       |  |      |      |      |    |     |   |    |      |      |    |      |      |    |      |      |    |        |     |              |
| TB               | BSPT                         | 1/4"                                   |   |                 |         |      |       |      |       |      |       |      |       |  |      |      |      |    |     |   |    |      |      |    |      |      |    |      |      |    |        |     |              |
| MB               | Metric                       | M10                                    |   |                 |         |      |       |      |       |      |       |      |       |  |      |      |      |    |     |   |    |      |      |    |      |      |    |      |      |    |        |     |              |

## D05H Tapping Plates

|  |  |
|--|--|
| <p><b>Circuit -"PAXX"</b></p> <p>TP_05HPAXXSBT P</p> <p>Mounting kit includes:<br/>5 - 014 O-ring viton<br/>2 - 010 O-ring viton</p> | <p><b>Circuit -"PXBX"</b></p> <p>TP_05HPXBXSBT B</p> <p>Mounting kit includes:<br/>5 - 014 O-ring viton<br/>2 - 010 O-ring viton</p> |
| <p><b>Circuit -"PXXT"</b></p> <p>TP_05HPXXTSBT P</p> <p>Mounting kit includes:<br/>5 - 014 O-ring viton<br/>2 - 010 O-ring viton</p> | <p><b>Circuit -"XABX"</b></p> <p>TP_05HXABXSBT B</p> <p>Mounting kit includes:<br/>5 - 014 O-ring viton<br/>2 - 010 O-ring viton</p> |

### PART NUMBER SYSTEM

Aluminum D05H Tapping Plate with SAE 4 Gauge Ports on A & B Example : **TPA05HXABXSBT**

| TYPE             | MATERIAL                     | SOLENOID INTERFACE                          | CONNECTION POINTS   | GAUGE PORT CODE | VERSION |      |       |      |       |      |       |      |       |  |      |      |      |    |     |   |    |      |      |    |      |      |    |      |      |    |        |     |              |
|------------------|------------------------------|---|---|-----------------|---------|------|-------|------|-------|------|-------|------|-------|--|------|------|------|----|-----|---|----|------|------|----|------|------|----|------|------|----|--------|-----|--------------|
| TP Tapping Plate | A Aluminum<br>D Ductile Iron | 05H (USA Standard)<br>NFPA T3.5.1-D05 Alt B | <table border="1"> <thead> <tr> <th>CODE</th> <th>PORTS</th> </tr> </thead> <tbody> <tr> <td>PAXX</td> <td>P &amp; A</td> </tr> <tr> <td>PXBX</td> <td>P &amp; B</td> </tr> <tr> <td>PXXT</td> <td>P &amp; T</td> </tr> <tr> <td>XABX</td> <td>A &amp; B</td> </tr> </tbody> </table> | CODE            | PORTS   | PAXX | P & A | PXBX | P & B | PXXT | P & T | XABX | A & B | <table border="1"> <thead> <tr> <th>CODE</th> <th>TYPE</th> <th>SIZE</th> </tr> </thead> <tbody> <tr> <td>SB</td> <td>SAE</td> <td>4</td> </tr> <tr> <td>NB</td> <td>NPTF</td> <td>1/4"</td> </tr> <tr> <td>BB</td> <td>BSPP</td> <td>1/4"</td> </tr> <tr> <td>TB</td> <td>BSPT</td> <td>1/4"</td> </tr> <tr> <td>MB</td> <td>Metric</td> <td>M10</td> </tr> </tbody> </table> | CODE | TYPE | SIZE | SB | SAE | 4 | NB | NPTF | 1/4" | BB | BSPP | 1/4" | TB | BSPT | 1/4" | MB | Metric | M10 | T Thru Holes |
| CODE             | PORTS                        |   |   |                 |         |      |       |      |       |      |       |      |       |  |      |      |      |    |     |   |    |      |      |    |      |      |    |      |      |    |        |     |              |
| PAXX             | P & A                        |   |   |                 |         |      |       |      |       |      |       |      |       |  |      |      |      |    |     |   |    |      |      |    |      |      |    |      |      |    |        |     |              |
| PXBX             | P & B                        |   |   |                 |         |      |       |      |       |      |       |      |       |  |      |      |      |    |     |   |    |      |      |    |      |      |    |      |      |    |        |     |              |
| PXXT             | P & T                        |   |   |                 |         |      |       |      |       |      |       |      |       |  |      |      |      |    |     |   |    |      |      |    |      |      |    |      |      |    |        |     |              |
| XABX             | A & B                        |   |   |                 |         |      |       |      |       |      |       |      |       |  |      |      |      |    |     |   |    |      |      |    |      |      |    |      |      |    |        |     |              |
| CODE             | TYPE                         | SIZE  |   |                 |         |      |       |      |       |      |       |      |       |  |      |      |      |    |     |   |    |      |      |    |      |      |    |      |      |    |        |     |              |
| SB               | SAE                          | 4   |   |                 |         |      |       |      |       |      |       |      |       |  |      |      |      |    |     |   |    |      |      |    |      |      |    |      |      |    |        |     |              |
| NB               | NPTF                         | 1/4"  |   |                 |         |      |       |      |       |      |       |      |       |  |      |      |      |    |     |   |    |      |      |    |      |      |    |      |      |    |        |     |              |
| BB               | BSPP                         | 1/4"  |   |                 |         |      |       |      |       |      |       |      |       |  |      |      |      |    |     |   |    |      |      |    |      |      |    |      |      |    |        |     |              |
| TB               | BSPT                         | 1/4"  |   |                 |         |      |       |      |       |      |       |      |       |  |      |      |      |    |     |   |    |      |      |    |      |      |    |      |      |    |        |     |              |
| MB               | Metric                       | M10   |   |                 |         |      |       |      |       |      |       |      |       |  |      |      |      |    |     |   |    |      |      |    |      |      |    |      |      |    |        |     |              |

## D05HE Tapping Plates

BAR  
MANIFOLDS

TAPPING  
PLATES

VALVE  
ADAPTERS

SUBPLATES

SUBPLATES  
w/  
CIRCUITS

COVER  
PLATES

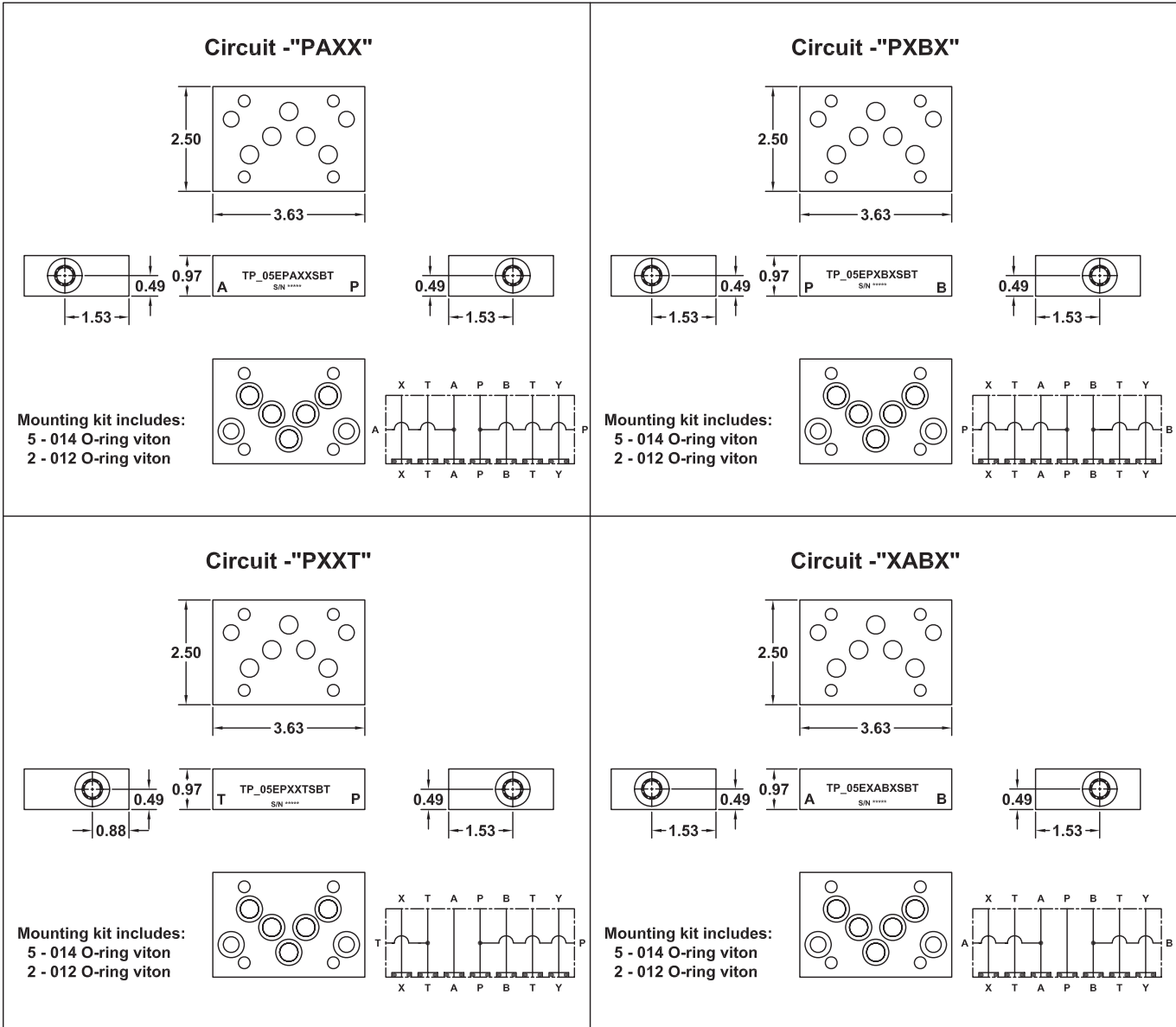
HEADERS/  
JUNCTIONS

DIN  
BODIES

ACCESSORIES

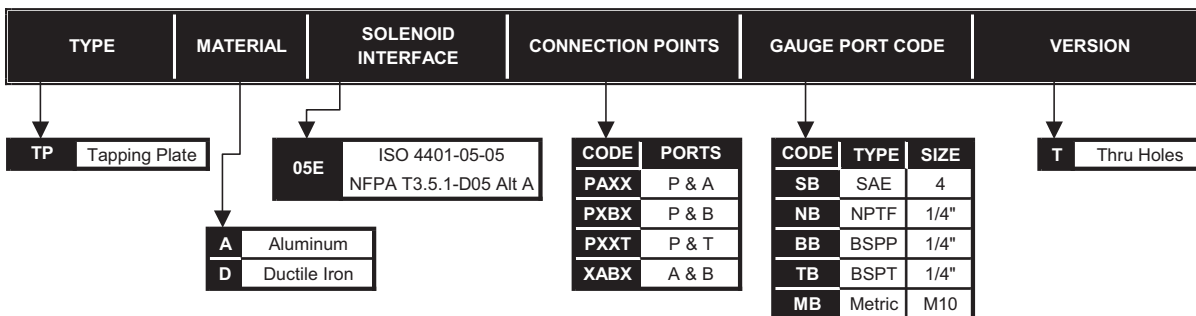
VALVE PACKS  
& CUSTOMS

TECHNICAL  
INFO



### PART NUMBER SYSTEM

Aluminum D05HE Tapping Plate with SAE 4 Gauge Ports on A & B Example : **TPA05EXABXSBT**



## D07 Tapping Plates

BAR  
MANIFOLDS

TAPPING  
PLATES

VALVE  
ADAPTERS

SUBPLATES

SUBPLATES  
w/ CIRCUITS

COVER  
PLATES

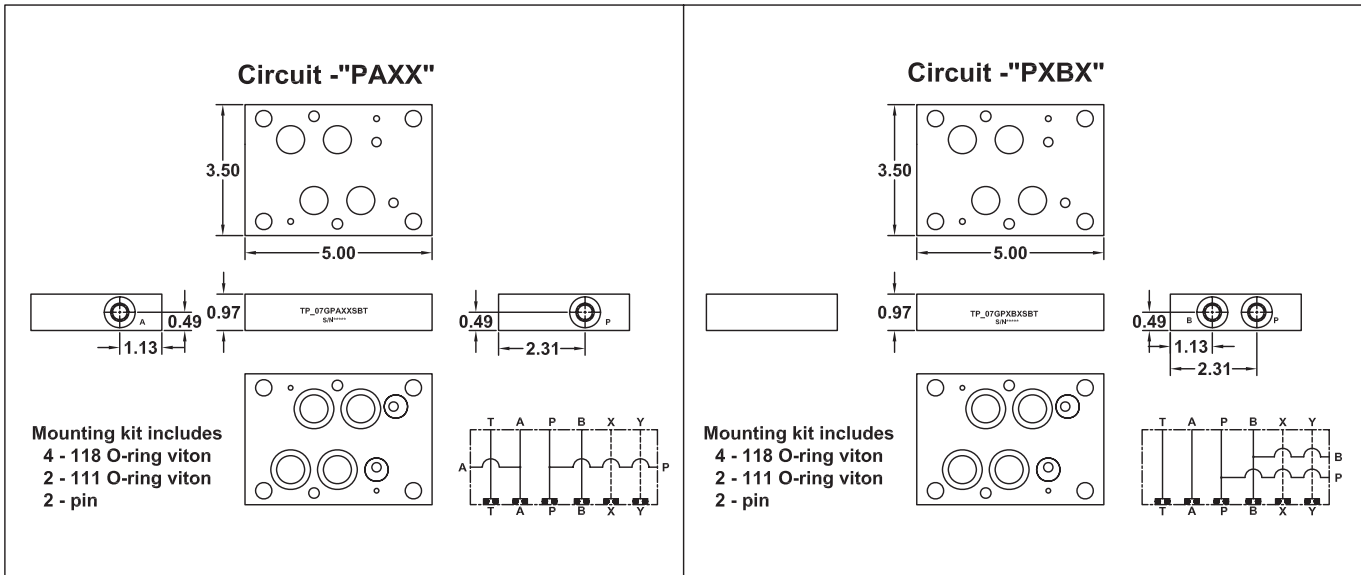
HEADERS/  
JUNCTIONS

DIN  
BODIES

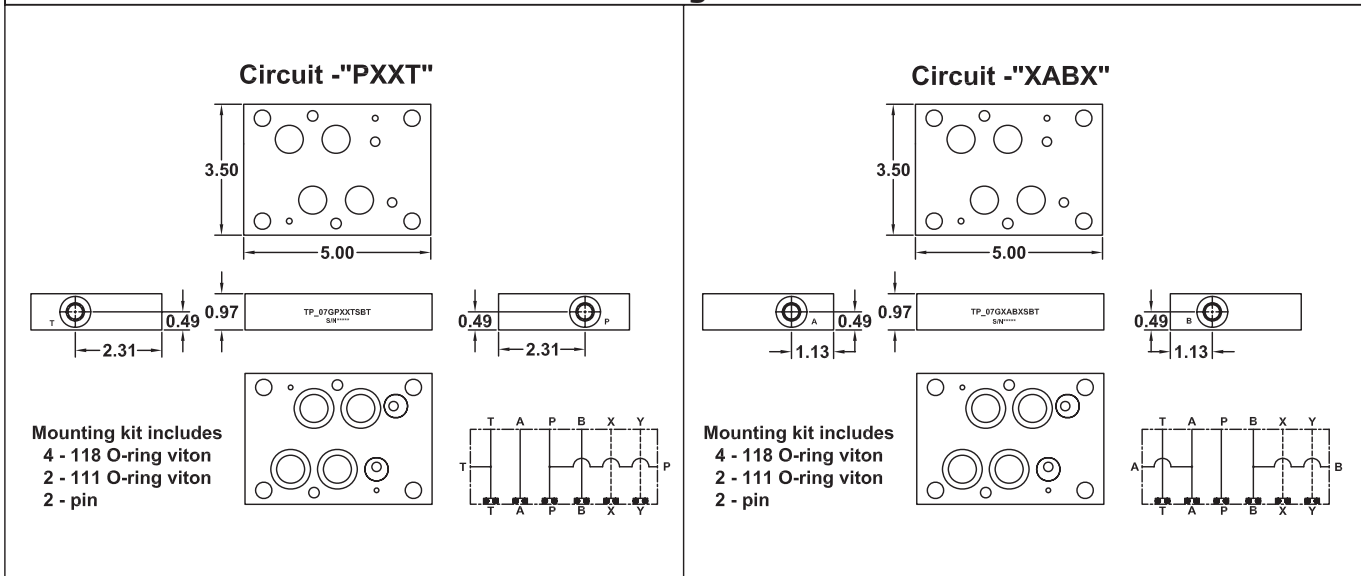
ACCESSORIES

VALVE PACKS  
& CUSTOMS

TECHNICAL  
INFO

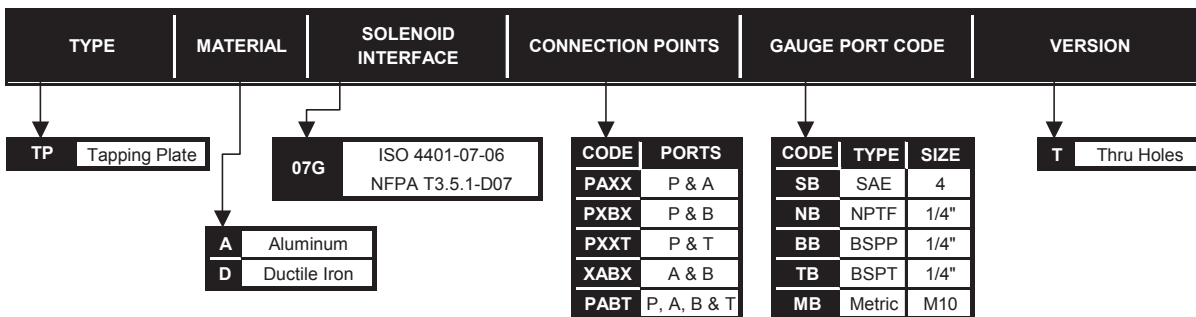


For Preferred Models - See Page 2.06.01 for Circuit "PABT"



### PART NUMBER SYSTEM

Aluminum D07 Tapping Plate with SAE 4 Gauge Ports on A & B Example : **TPA07GXABXSBT**



## D08 Tapping Plates

BAR  
MANIFOLDS

TAPPING  
PLATES

VALVE  
ADAPTERS

SUBPLATES

SUBPLATES  
w/  
CIRCUITS

COVER  
PLATES

HEADERS/  
JUNCTIONS

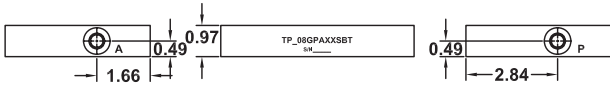
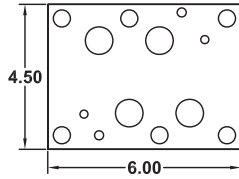
DIN  
BODIES

ACCESSORIES

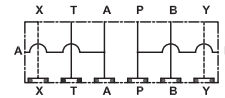
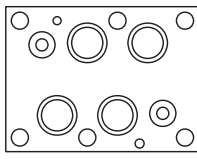
VALVE PACKS  
& CUSTOMS

TECHNICAL  
INFO

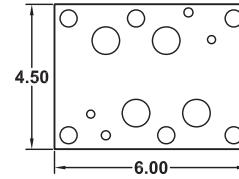
**Circuit -"PAXX"**



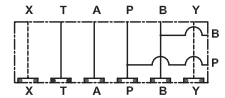
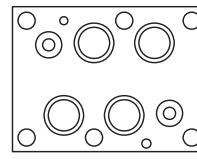
Mounting kit includes  
4 - 121 O-ring viton  
2 - 114 O-ring viton  
2 - pin



**Circuit -"PXBX"**

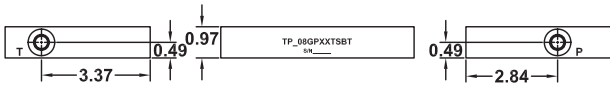
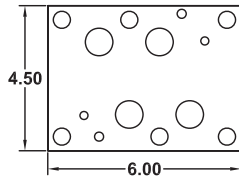


Mounting kit includes  
4 - 121 O-ring viton  
2 - 114 O-ring viton  
2 - pin

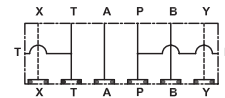
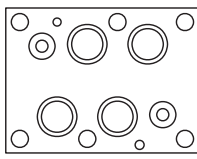


**For Preferred Models - See Page 2.06.01 for Circuit "PABT"**

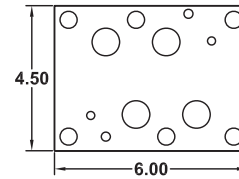
**Circuit -"PXXT"**



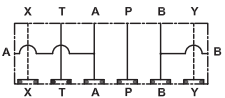
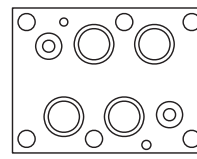
Mounting kit includes  
4 - 121 O-ring viton  
2 - 114 O-ring viton  
2 - pin



**Circuit -"XABX"**



Mounting kit includes  
4 - 121 O-ring viton  
2 - 114 O-ring viton  
2 - pin

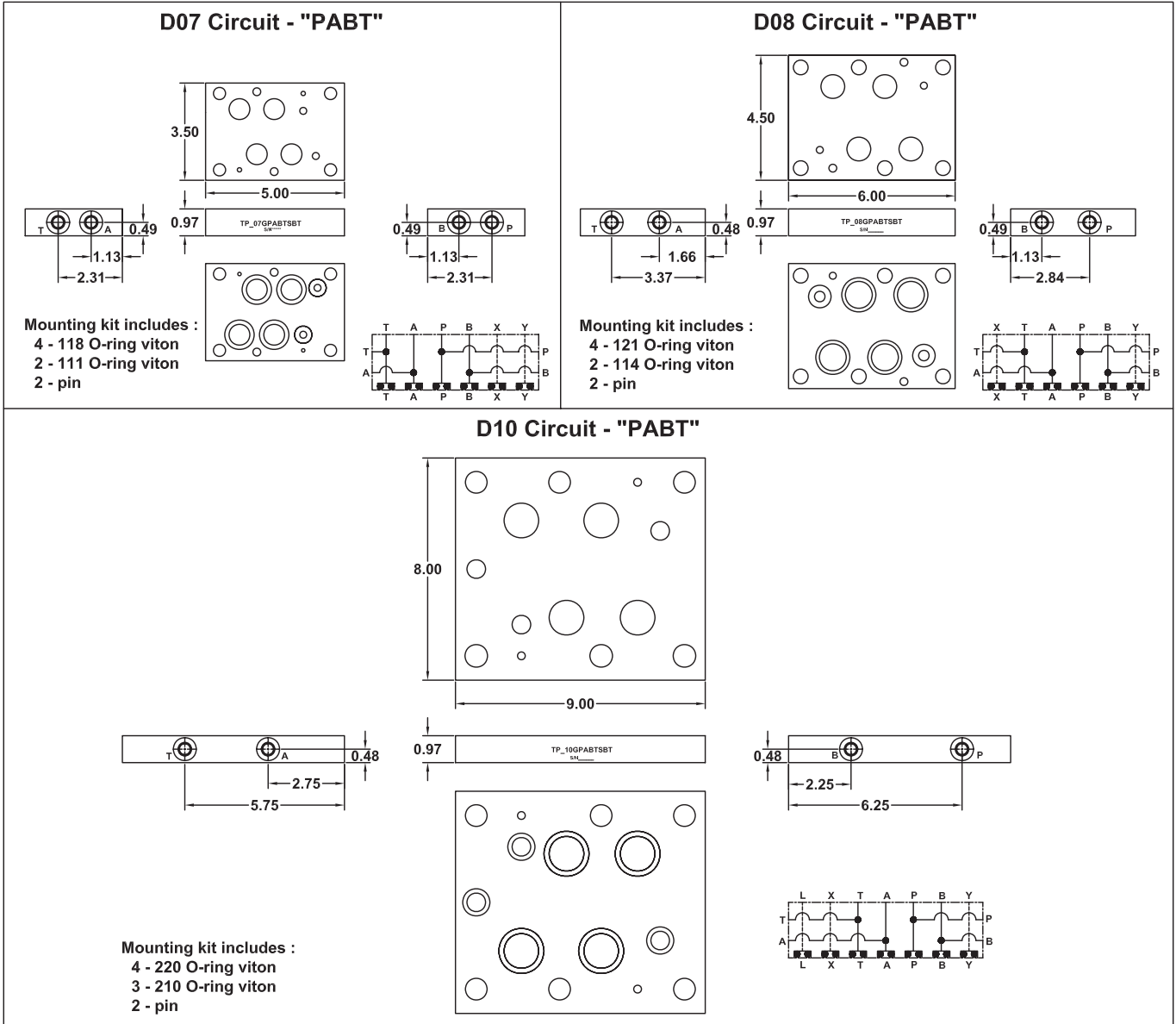


### PART NUMBER SYSTEM

Aluminum D08 Tapping Plate with SAE 4 Gauge Ports on A & B Example : **TPA08GXABXSBT**

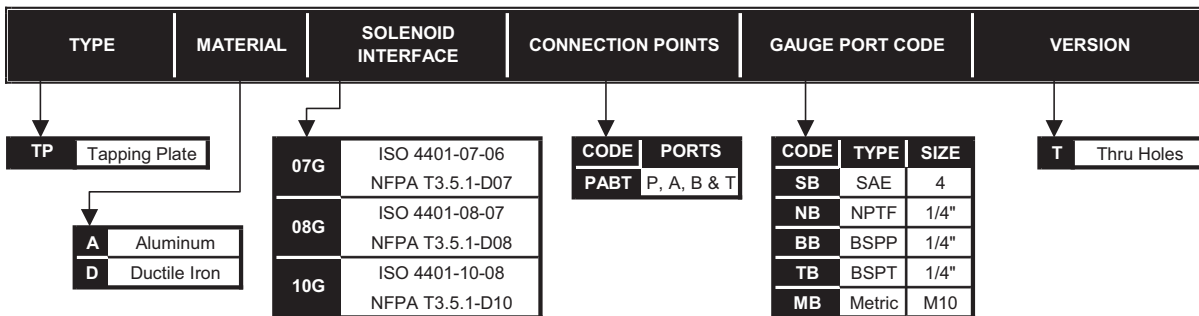
| TYPE             | MATERIAL                            | SOLENOID INTERFACE                | CONNECTION POINTS  | GAUGE PORT CODE   | VERSION      |
|------------------|-------------------------------------|-----------------------------------|--|---|--------------|
| TP Tapping Plate | 08G<br>A Aluminum<br>D Ductile Iron | ISO 4401-08-07<br>NFPA T3.5.1-D08 | CODE PORTS<br>PAXX P & A<br>PXBX P & B<br>PXXT P & T<br>XABX A & B<br>PABT P, A, B & T | CODE TYPE SIZE<br>SB SAE 4<br>NB NPTF 1/4"<br>BB BSPP 1/4"<br>TB BSPT 1/4"<br>MB Metric M10 | T Thru Holes |

## D07, D08 & D10 - P, A, B & T Tapping Plates



### PART NUMBER SYSTEM

Aluminum D10 Tapping Plate with SAE 4 Gauge Ports on P, A, B & T Example : **TPA10GPABTSBT**



BAR MANIFOLDS  
 TAPPING PLATES  
 VALVE ADAPTERS  
 SUBPLATES  
 SUBPLATES w/ CIRCUITS  
 COVER PLATES  
 HEADERS/JUNCTIONS  
 DIN BODIES  
 ACCESSORIES  
 VALVE PACKS & CUSTOMS  
 TECHNICAL INFO